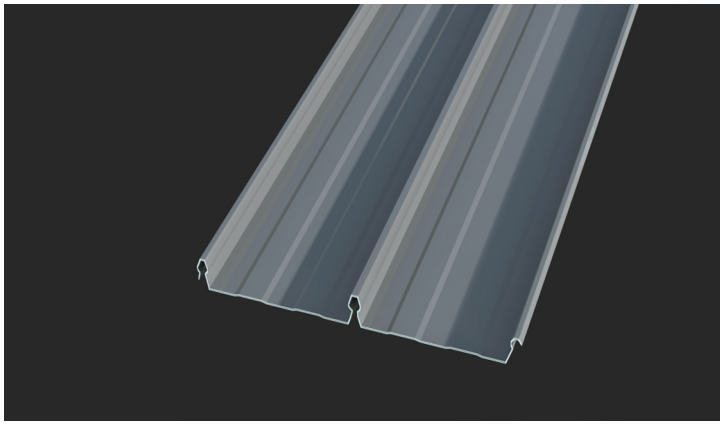


Metdek400

Metdek400 has a long history as a residential or commercial roofing solution, which is ideal for low pitches. Metdek400 employs a clip fixing system and can be used down to a minimum pitch of 3 degrees. Metdek400 is available in Zinalume, Galvsteel, Colorsteel Endura and Colorsteel Maxx.



Cover: 400mm Sheet Width: 406mm Min Pitch: 3°

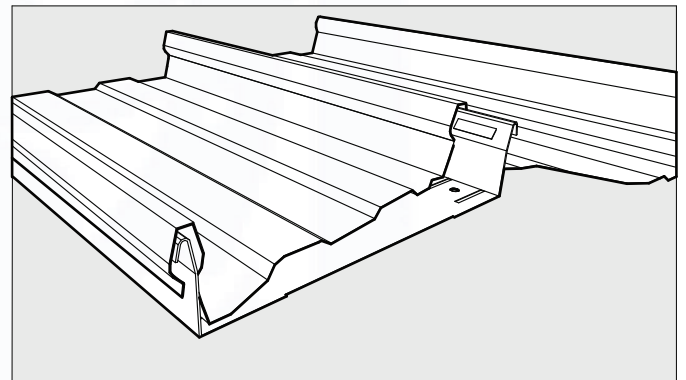


Recommended Fixings

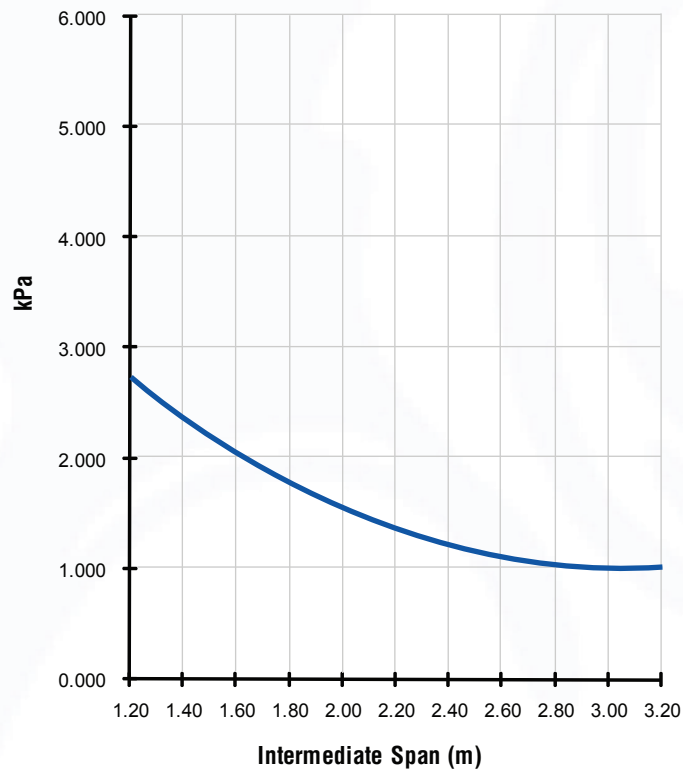
Timber: Spiral Shank Nails

Steel: Wafertek 10G x 16mm

Fixing Patterns - 1 clip per sheet per Purlin



Metdek400 0.55mm UDL



Note: The intermediate spans shown in the graphs above are based on G300 Steel as the base metal. To calculate end spans please multiply the intermediate span calculated by 0.66. Spans are based on restricted access. For alternative metals please contact your local Metalcraft branch.

Manufacturing Locations Wellington

Metdek400 is available for purchase from all Metalcraft branch locations

www.metalcraft.net.nz