

Chateau™

RESIDENTIAL ROOFING

DETAIL LIST

00 / 17	COVER SHEET
01 / 17	VALLEY FLASHING
02 / 17	BARREL RIDGE
03 / 17	ANGLE RIDGE
04 / 17	FOLDED RIDGE
05 / 17	BARREL BARGE
06 / 17	ANGLE BARGE
07 / 17	FOLDED BARGE
08 / 17	BARREL CAP BARGE
09 / 17	ANGLE CAP BARGE
10 / 17	FOLDED CAP BARGE
11 / 17	TILE BATTEN LAYOUT
12 / 17	TILE BATTEN LAYOUT
13 / 17	TILE BATTEN LAYOUT
14 / 17	CHIMNEY SIDE VIEW
15 / 17	HEAD APRON
16 / 17	SIDE FLASHING
17 / 17	SECRET GUTTER

RRT10

0800 ROOFNZ (0800 766 369)
www.metalcraftroofing.co.nz

Architectural / Specification Enquiries

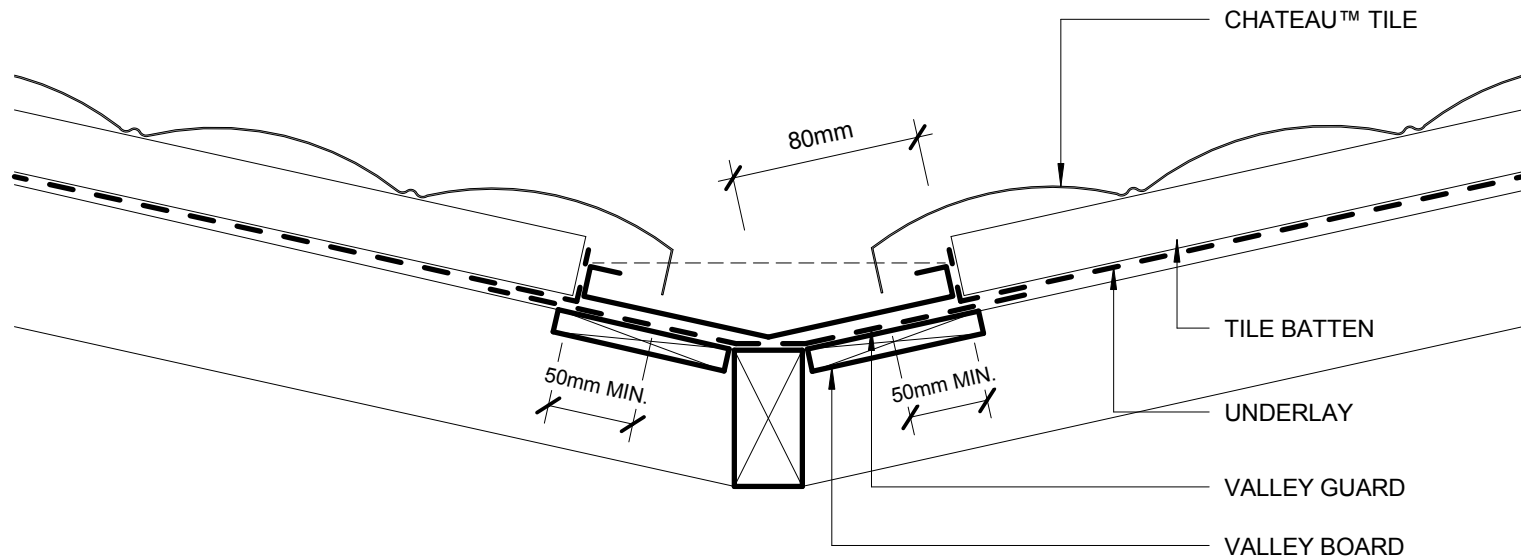
Ph: 09 274 0408

Mobile: 027 603 1096

Email: Frances.charles@unitedindustries.co.nz

Metalcraft
Roofing

* CHATEAU™
MIN. ROOF PITCH = 12.5°
12:50°



- BUILDING PAPER IS THE COMMON GENERIC NAME FOR PERMEABLE ROOF AND WALL UNDERLAYS. PLEASE REFER TO NZBC E2/AS1 AND MRM CODE OF PRACTICE VERSION 3.0 /2017.

* - PLEASE REFER TO MRM CODE OF PRACTICE VERSION 3.0 /2017 AS MINIMUM PITCH WILL INCREASE DEPENDING ON SHEET LENGTH.

DISCLAIMER:
All details are to be used for indicative purposes only and the designer should consult both the MRM code of practice, E2 and all other relevant building codes
Details of the supporting mechanisms are indicative only. Compliance of the supporting mechanisms is the responsibility of the designer. Construction detail can vary for wall cladding. The underlay is detailed as a single line for simplicity and is indicative only. Building paper type and method of installation should comply with underlay manufacturers recommendations and NZBC regulations.

Metalcraft
Roofing

Chateau™

Reference RRT10

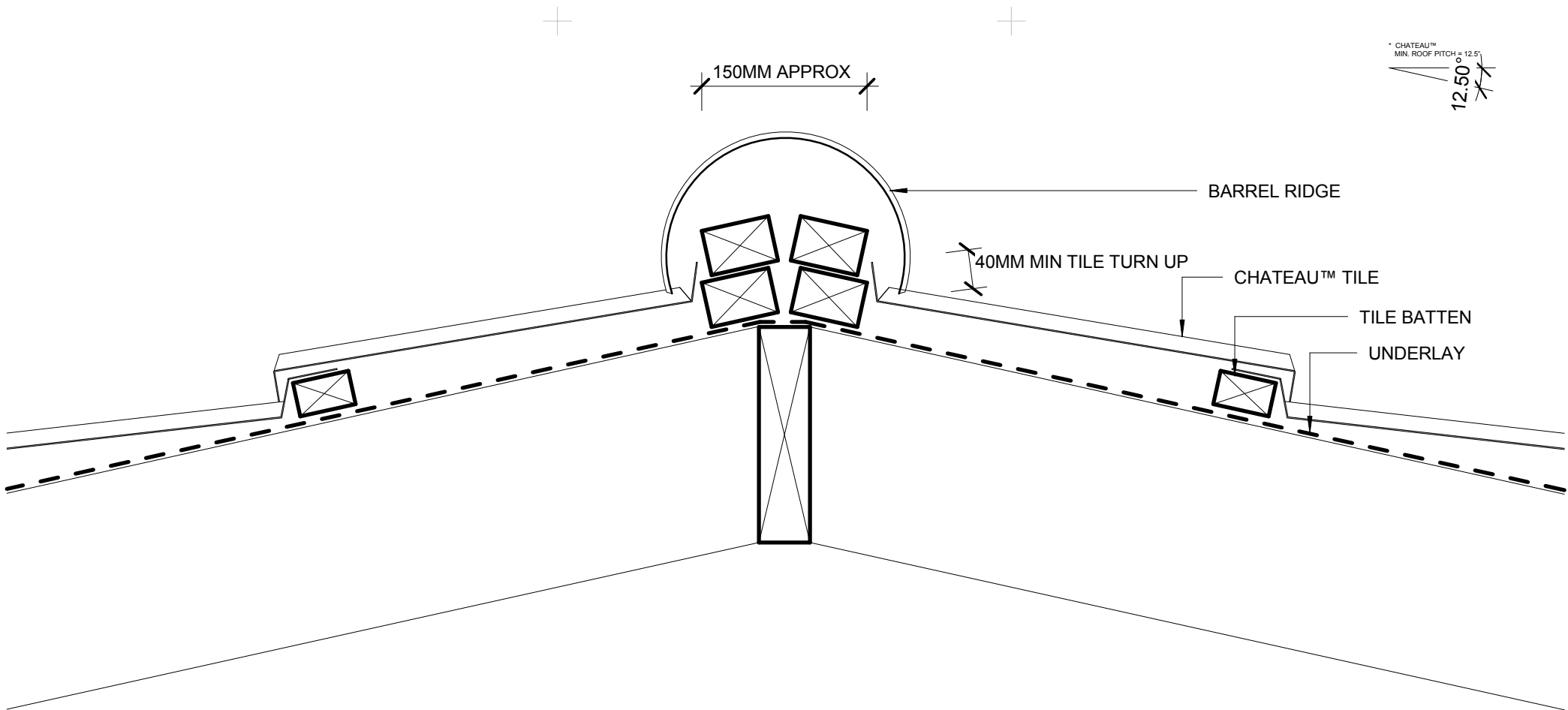
Date 31.07.2018

Scale 1 : 5

VALLEY FLASHING
RESIDENTIAL ROOFING

Sheet

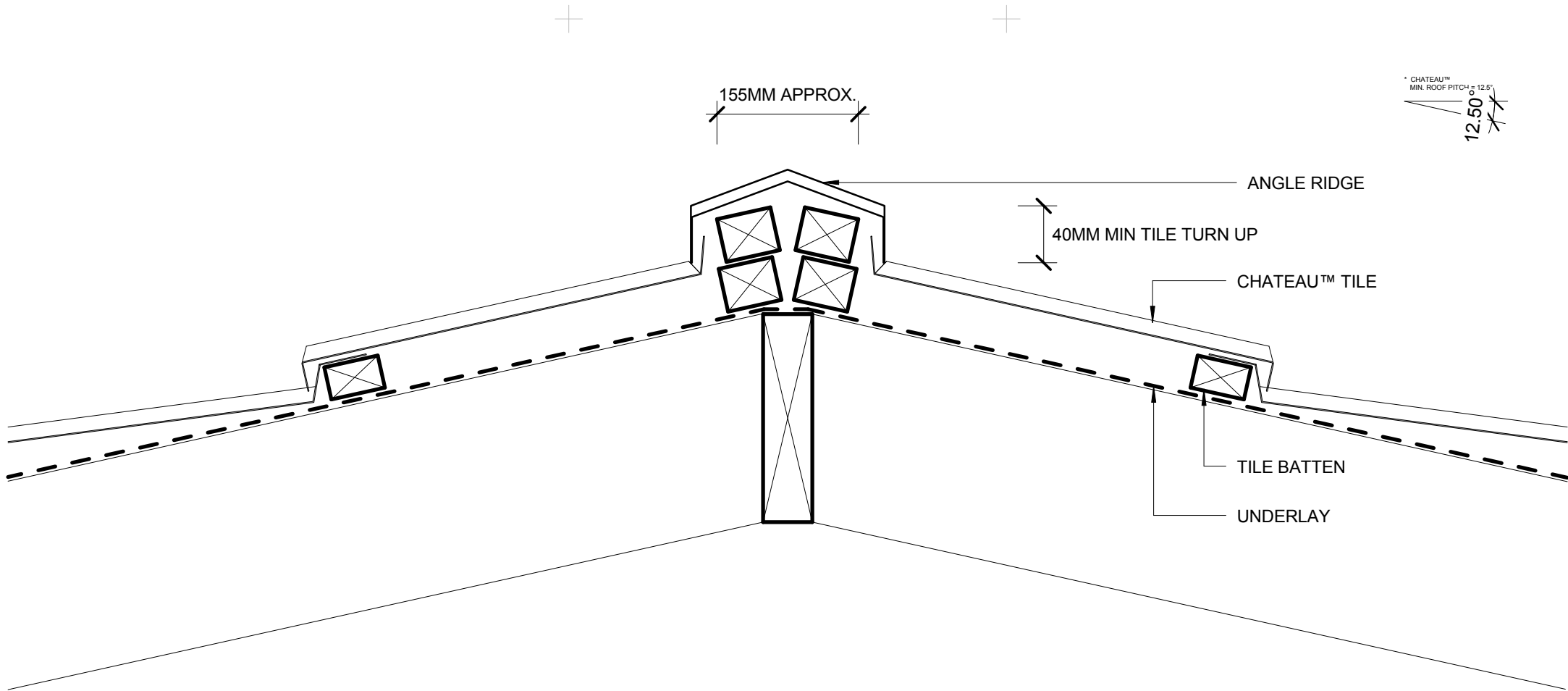
01 / 17



- BUILDING PAPER IS THE COMMON GENERIC NAME FOR PERMEABLE ROOF AND WALL UNDERLAYS. PLEASE REFER TO NZBC E2/AS1 AND MRM CODE OF PRACTICE VERSION 3.0 /2017.

* - PLEASE REFER TO MRM CODE OF PRACTICE VERSION 3.0 /2017 AS MINIMUM PITCH WILL INCREASE DEPENDING ON SHEET LENGTH.

DISCLAIMER:
 All details are to be used for indicative purposes only and the designer should consult both the MRM code of practice, E2 and all other relevant building codes
 Details of the supporting mechanisms are indicative only. Compliance of the supporting mechanisms is the responsibility of the designer. Construction detail can vary for wall cladding. The underlay is detailed as a single line for simplicity and is indicative only. Building paper type and method of installation should comply with underlay manufacturers recommendations and NZBC regulations.



- BUILDING PAPER IS THE COMMON GENERIC NAME FOR PERMEABLE ROOF AND WALL UNDERLAYS. PLEASE REFER TO NZBC E2/AS1 AND MRM CODE OF PRACTICE VERSION 3.0 /2017.

* - PLEASE REFER TO MRM CODE OF PRACTICE VERSION 3.0 /2017 AS MINIMUM PITCH WILL INCREASE DEPENDING ON SHEET LENGTH.

DISCLAIMER:
All details are to be used for indicative purposes only and the designer should consult both the MRM code of practice, E2 and all other relevant building codes
Details of the supporting mechanisms are indicative only. Compliance of the supporting mechanisms is the responsibility of the designer. Construction detail can vary for wall cladding. The underlay is detailed as a single line for simplicity and is indicative only. Building paper type and method of installation should comply with underlay manufacturers recommendations and NZBC regulations.

Metalcraft
Roofing

Chateau™

Reference RRT10

Date 31.07.2018

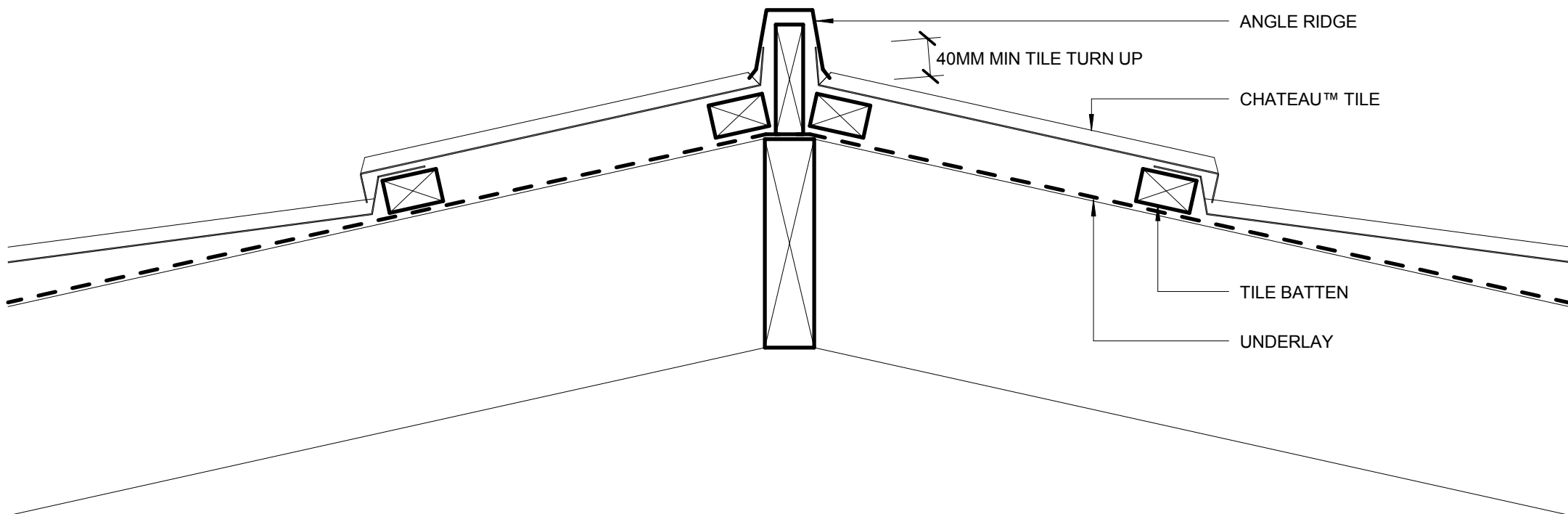
Scale 1 : 5

ANGLE RIDGE
RESIDENTIAL ROOFING

Sheet

03 / 17

* CHATEAU™
MIN. ROOF PITCH = 12.5°



- BUILDING PAPER IS THE COMMON GENERIC NAME FOR PERMEABLE ROOF AND WALL UNDERLAYS. PLEASE REFER TO NZBC E2/AS1 AND MRM CODE OF PRACTICE VERSION 3.0 /2017.

* - PLEASE REFER TO MRM CODE OF PRACTICE VERSION 3.0 /2017 AS MINIMUM PITCH WILL INCREASE DEPENDING ON SHEET LENGTH.

DISCLAIMER:
All details are to be used for indicative purposes only and the designer should consult both the MRM code of practice, E2 and all other relevant building codes
Details of the supporting mechanisms are indicative only. Compliance of the supporting mechanisms is the responsibility of the designer. Construction detail can vary for wall cladding. The underlay is detailed as a single line for simplicity and is indicative only. Building paper type and method of installation should comply with underlay manufacturers recommendations and NZBC regulations.

Metalcraft
Roofing

Chateau™

FOLDED RIDGE
RESIDENTIAL ROOFING

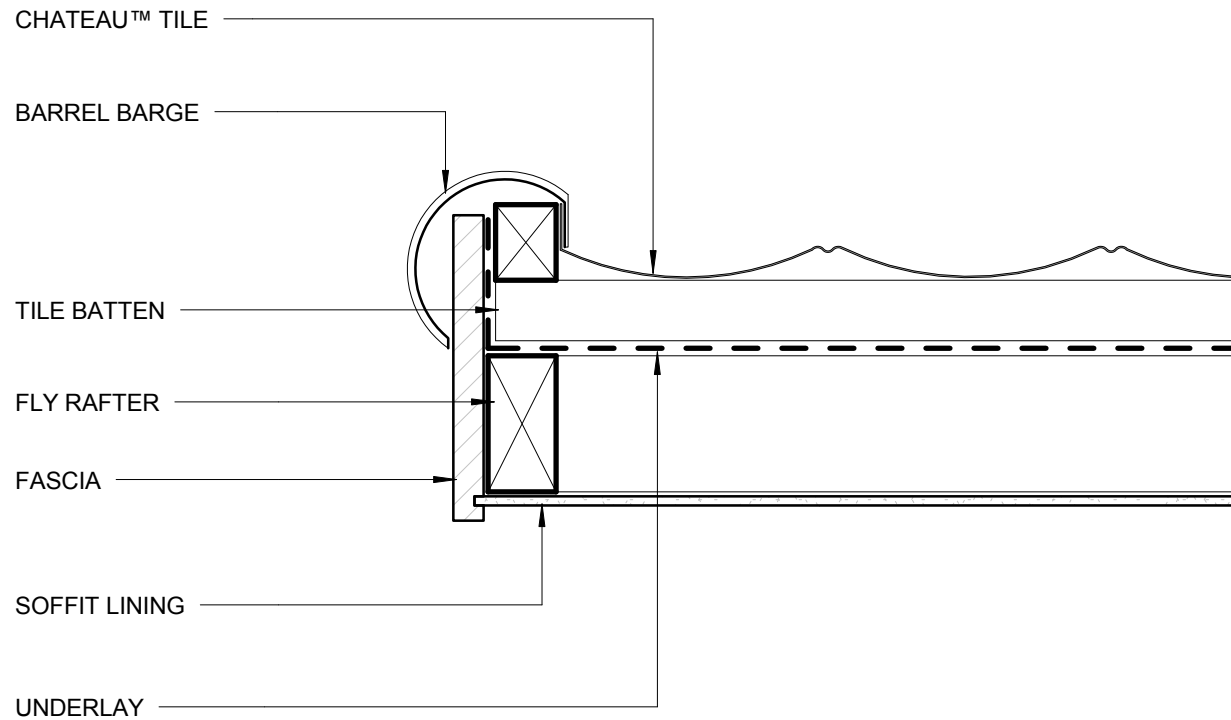
Reference RRT10

Date 31.07.2018

Scale 1 : 5

Sheet

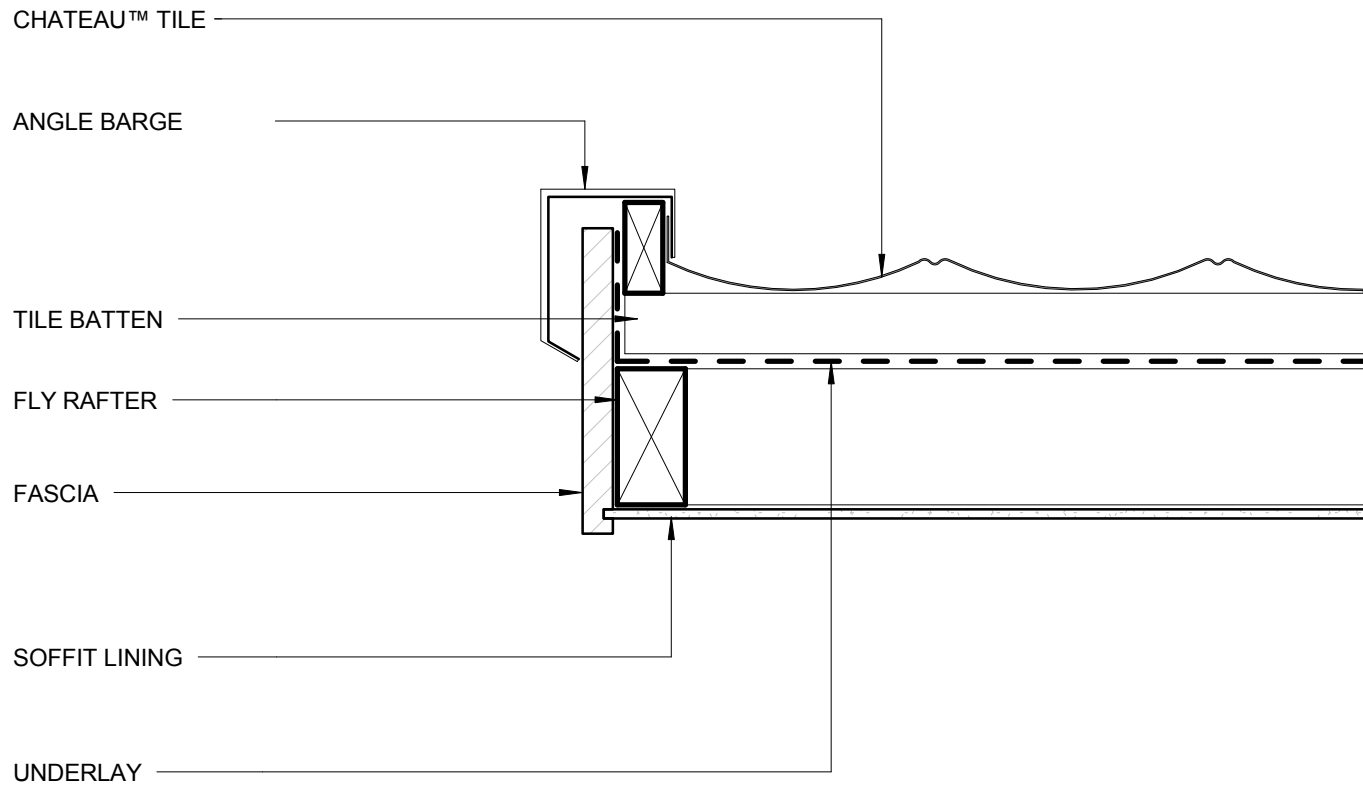
04 / 17



- BUILDING PAPER IS THE COMMON GENERIC NAME FOR PERMEABLE ROOF AND WALL UNDERLAYS. PLEASE REFER TO NZBC E2/AS1 AND MRM CODE OF PRACTICE VERSION 3.0 /2017.

* - PLEASE REFER TO MRM CODE OF PRACTICE VERSION 3.0 /2017 AS MINIMUM PITCH WILL INCREASE DEPENDING ON SHEET LENGTH.

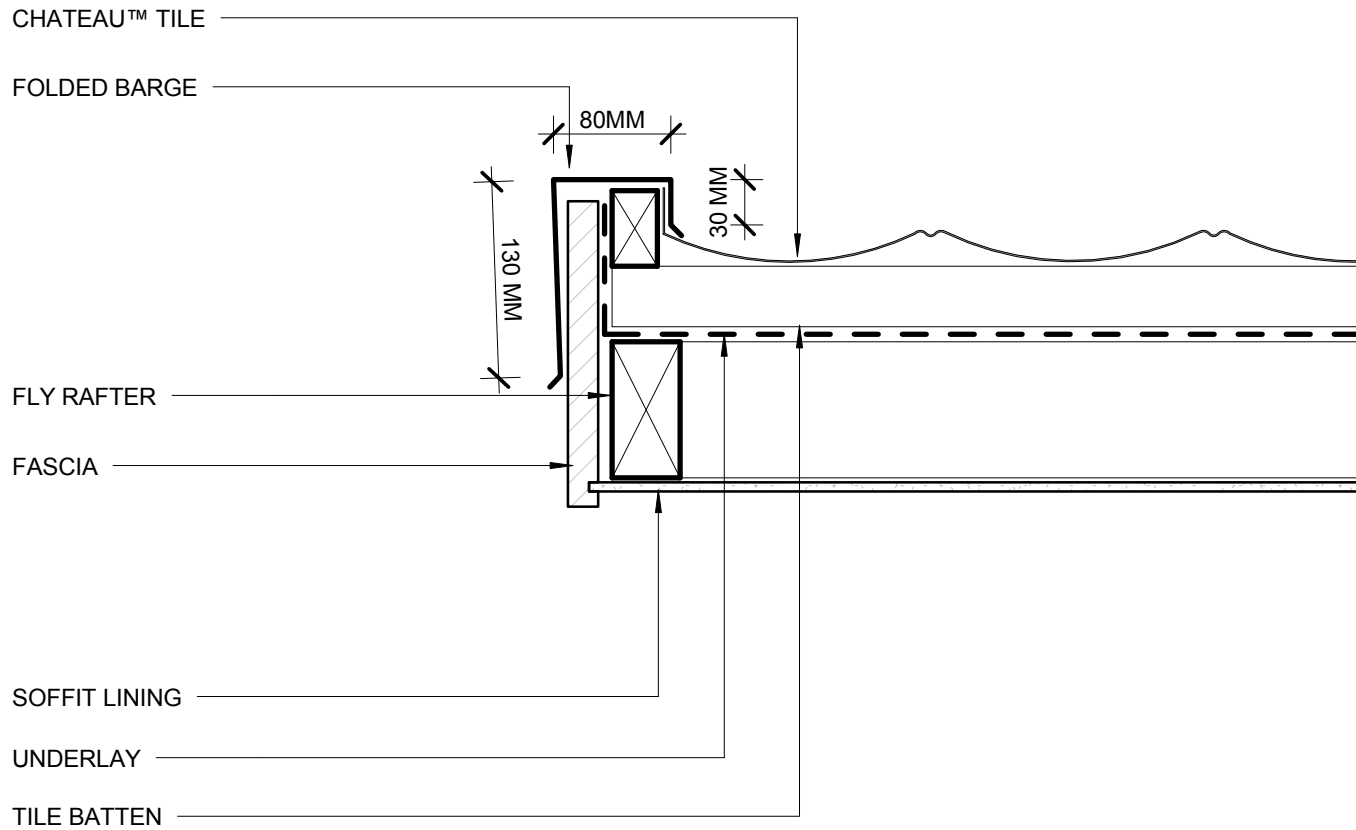
DISCLAIMER:
 All details are to be used for indicative purposes only and the designer should consult both the MRM code of practice, E2 and all other relevant building codes
 Details of the supporting mechanisms are indicative only. Compliance of the supporting mechanisms is the responsibility of the designer. Construction detail can vary for wall cladding. The underlay is detailed as a single line for simplicity and is indicative only. Building paper type and method of installation should comply with underlay manufacturers recommendations and NZBC regulations.



- BUILDING PAPER IS THE COMMON GENERIC NAME FOR PERMEABLE ROOF AND WALL UNDERLAYS. PLEASE REFER TO NZBC E2/AS1 AND MRM CODE OF PRACTICE VERSION 3.0 /2017.

* - PLEASE REFER TO MRM CODE OF PRACTICE VERSION 3.0 /2017 AS MINIMUM PITCH WILL INCREASE DEPENDING ON SHEET LENGTH.

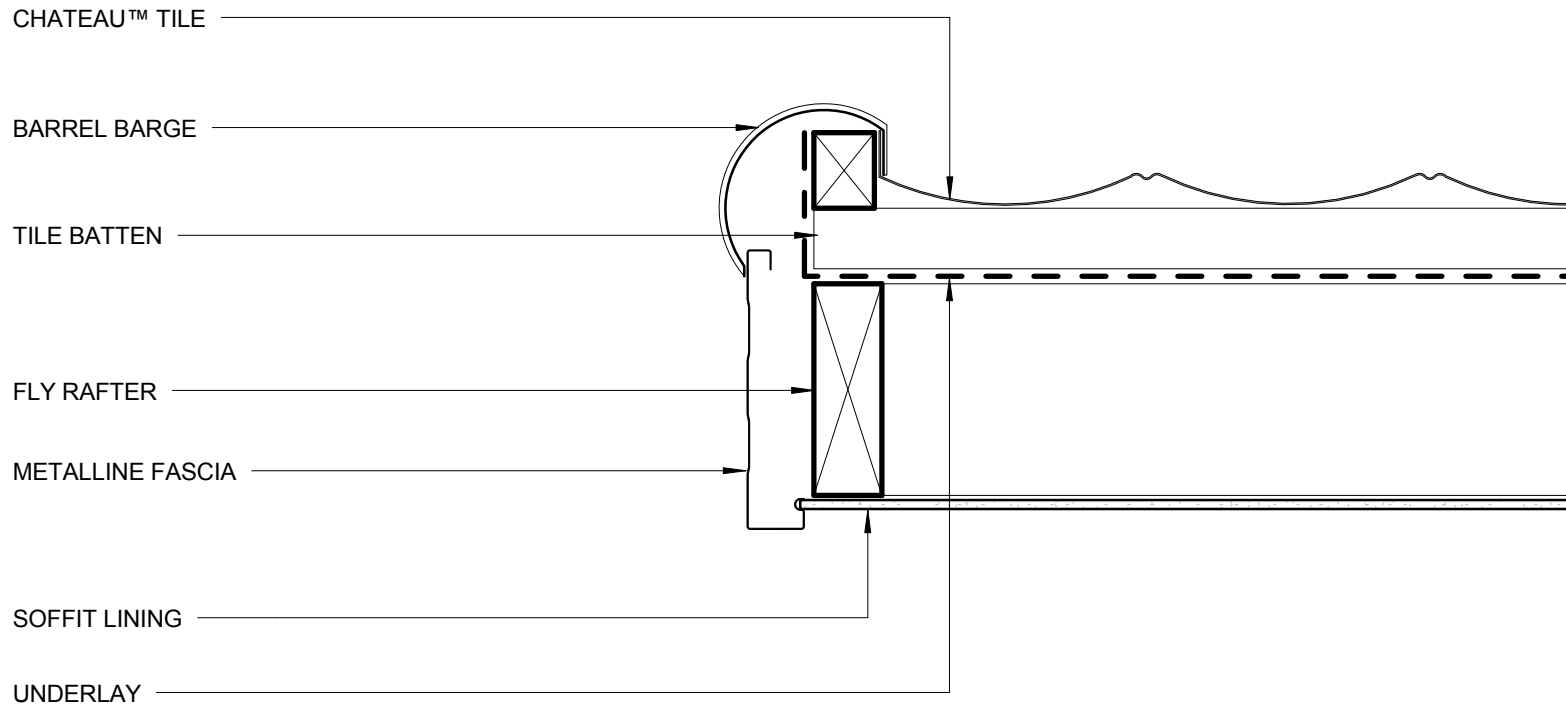
DISCLAIMER:
 All details are to be used for indicative purposes only and the designer should consult both the MRM code of practice, E2 and all other relevant building codes
 Details of the supporting mechanisms are indicative only. Compliance of the supporting mechanisms is the responsibility of the designer. Construction detail can vary for wall cladding. The underlay is detailed as a single line for simplicity and is indicative only. Building paper type and method of installation should comply with underlay manufacturers recommendations and NZBC regulations.



- BUILDING PAPER IS THE COMMON GENERIC NAME FOR PERMEABLE ROOF AND WALL UNDERLAYS. PLEASE REFER TO NZBC E2/AS1 AND MRM CODE OF PRACTICE VERSION 3.0 /2017.

* - PLEASE REFER TO MRM CODE OF PRACTICE VERSION 3.0 /2017 AS MINIMUM PITCH WILL INCREASE DEPENDING ON SHEET LENGTH.

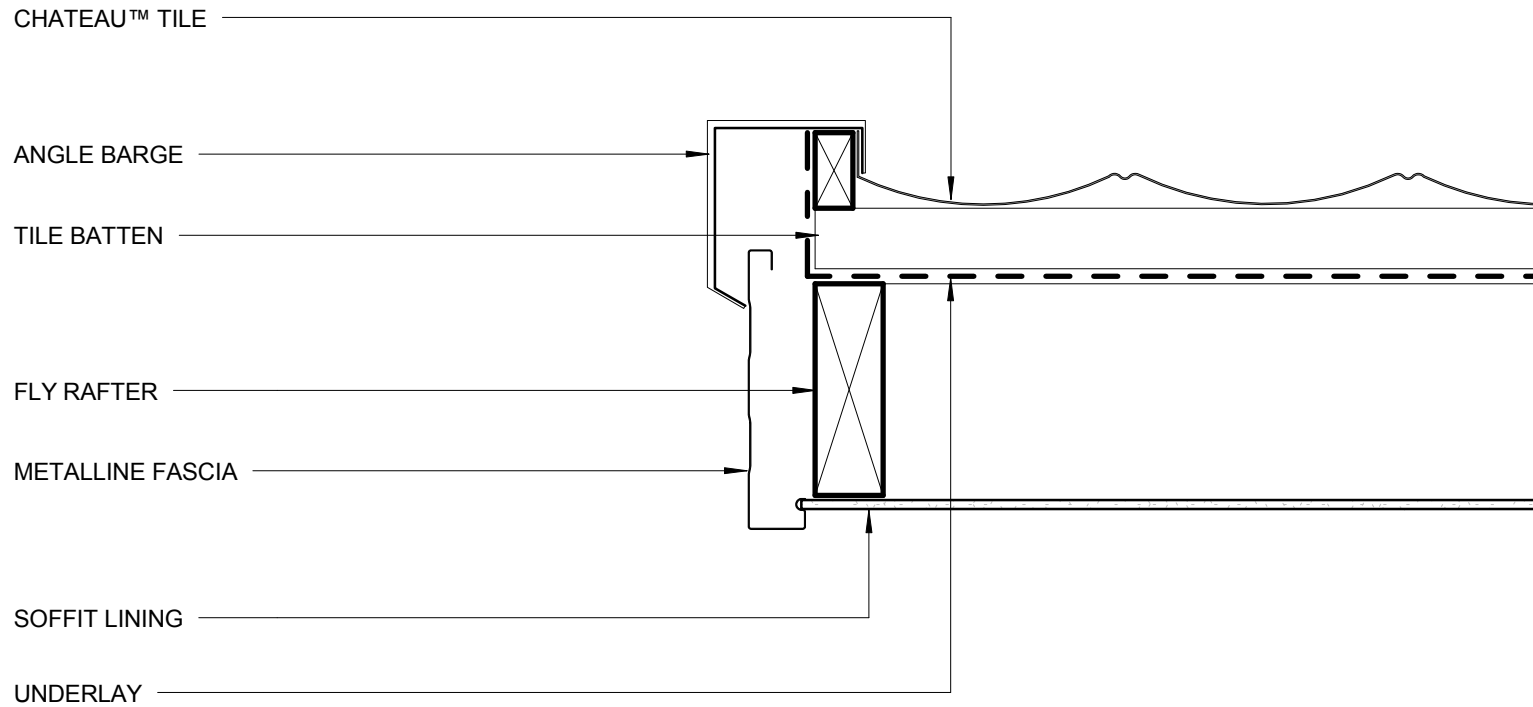
DISCLAIMER:
 All details are to be used for indicative purposes only and the designer should consult both the MRM code of practice, E2 and all other relevant building codes
 Details of the supporting mechanisms are indicative only. Compliance of the supporting mechanisms is the responsibility of the designer. Construction detail can vary for wall cladding. The underlay is detailed as a single line for simplicity and is indicative only. Building paper type and method of installation should comply with underlay manufacturers recommendations and NZBC regulations.



- BUILDING PAPER IS THE COMMON GENERIC NAME FOR PERMEABLE ROOF AND WALL UNDERLAYS. PLEASE REFER TO NZBC E2/AS1 AND MRM CODE OF PRACTICE VERSION 3.0 /2017.

* - PLEASE REFER TO MRM CODE OF PRACTICE VERSION 3.0 /2017 AS MINIMUM PITCH WILL INCREASE DEPENDING ON SHEET LENGTH.

DISCLAIMER:
All details are to be used for indicative purposes only and the designer should consult both the MRM code of practice, E2 and all other relevant building codes
Details of the supporting mechanisms are indicative only. Compliance of the supporting mechanisms is the responsibility of the designer. Construction detail can vary for wall cladding. The underlay is detailed as a single line for simplicity and is indicative only. Building paper type and method of installation should comply with underlay manufacturers recommendations and NZBC regulations.

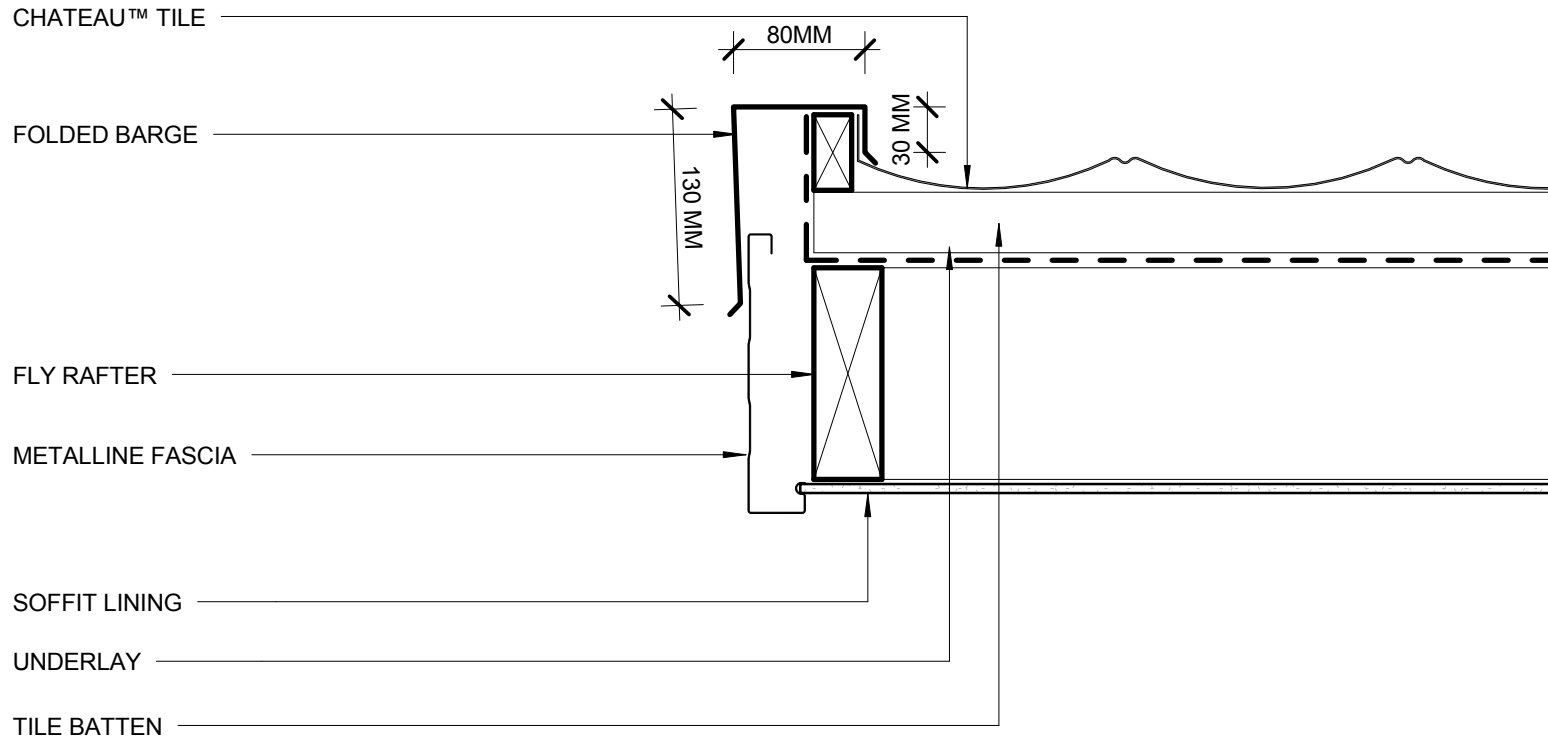


- BUILDING PAPER IS THE COMMON GENERIC NAME FOR PERMEABLE ROOF AND WALL UNDERLAYS. PLEASE REFER TO NZBC E2/AS1 AND MRM CODE OF PRACTICE VERSION 3.0 /2017.

* - PLEASE REFER TO MRM CODE OF PRACTICE VERSION 3.0 /2017 AS MINIMUM PITCH WILL INCREASE DEPENDING ON SHEET LENGTH.

DISCLAIMER:
 All details are to be used for indicative purposes only and the designer should consult both the MRM code of practice, E2 and all other relevant building codes
 Details of the supporting mechanisms are indicative only. Compliance of the supporting mechanisms is the responsibility of the designer. Construction detail can vary for wall cladding. The underlay is detailed as a single line for simplicity and is indicative only. Building paper type and method of installation should comply with underlay manufacturers recommendations and NZBC regulations.

ANGLE CAP BARGE
 RESIDENTIAL ROOFING

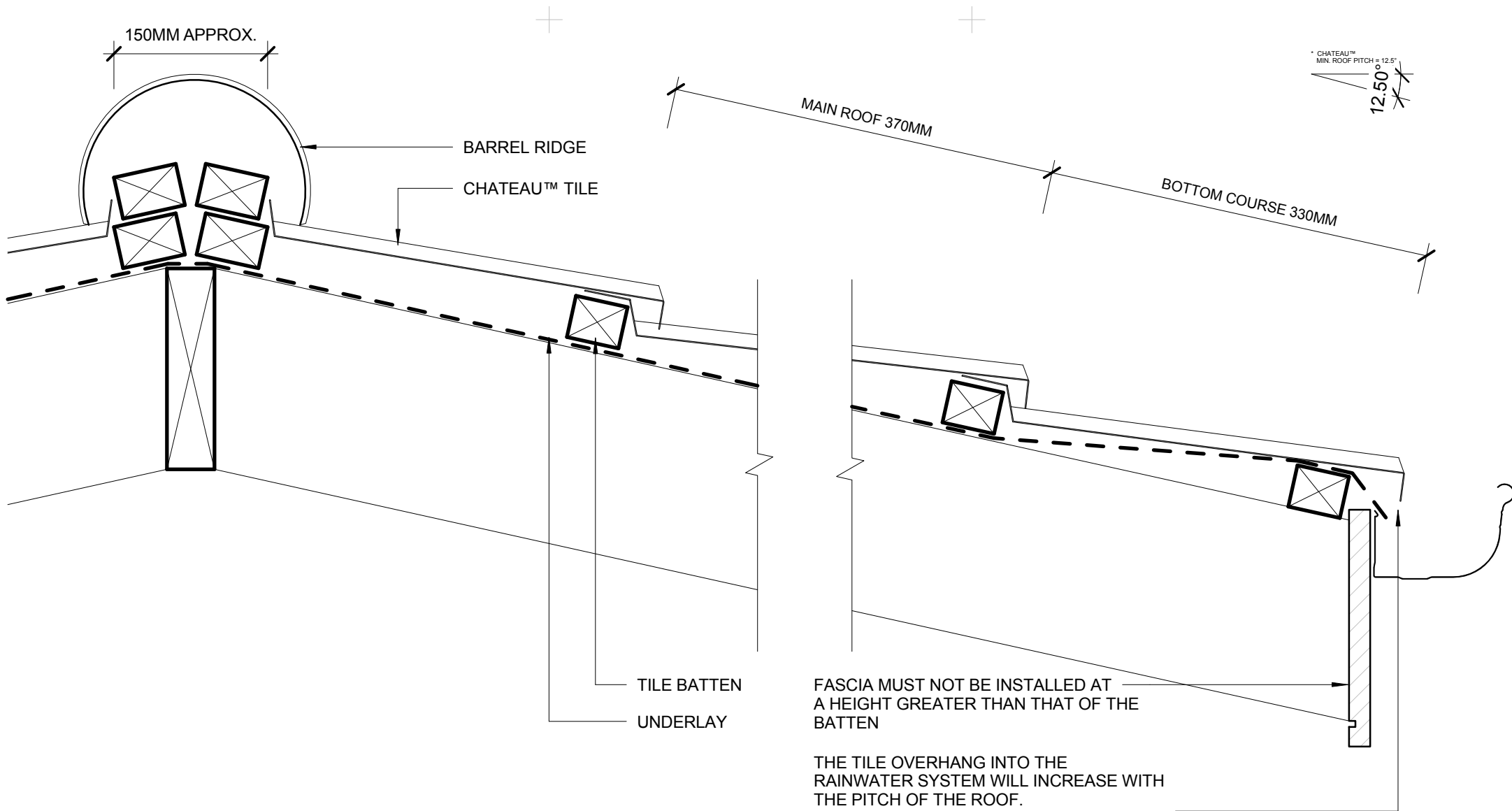


- BUILDING PAPER IS THE COMMON GENERIC NAME FOR PERMEABLE ROOF AND WALL UNDERLAYS. PLEASE REFER TO NZBC E2/AS1 AND MRM CODE OF PRACTICE VERSION 3.0 /2017.

* - PLEASE REFER TO MRM CODE OF PRACTICE VERSION 3.0 /2017 AS MINIMUM PITCH WILL INCREASE DEPENDING ON SHEET LENGTH.

DISCLAIMER:
 All details are to be used for indicative purposes only and the designer should consult both the MRM code of practice, E2 and all other relevant building codes
 Details of the supporting mechanisms are indicative only. Compliance of the supporting mechanisms is the responsibility of the designer. Construction detail can vary for wall cladding. The underlay is detailed as a single line for simplicity and is indicative only. Building paper type and method of installation should comply with underlay manufacturers recommendations and NZBC regulations.

FOLDED CAP BARGE
 RESIDENTIAL ROOFING



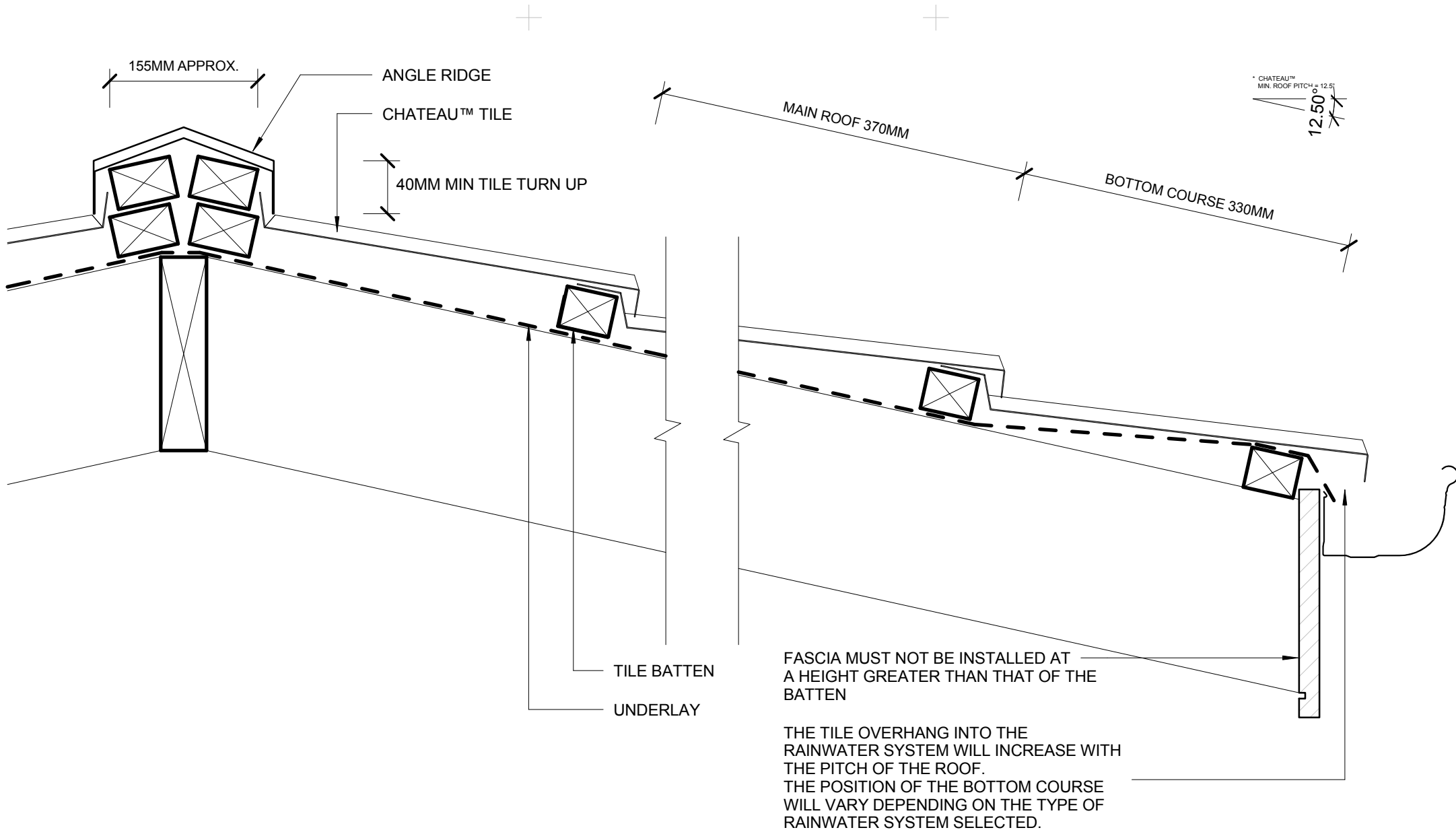
FASCIA MUST NOT BE INSTALLED AT A HEIGHT GREATER THAN THAT OF THE BATTEN

THE TILE OVERHANG INTO THE RAINWATER SYSTEM WILL INCREASE WITH THE PITCH OF THE ROOF. THE POSITION OF THE BOTTOM COURSE WILL VARY DEPENDING ON THE TYPE OF RAINWATER SYSTEM SELECTED.

- BUILDING PAPER IS THE COMMON GENERIC NAME FOR PERMEABLE ROOF AND WALL UNDERLAYS. PLEASE REFER TO NZBC E2/AS1 AND MRM CODE OF PRACTICE VERSION 3.0 /2017.

* - PLEASE REFER TO MRM CODE OF PRACTICE VERSION 3.0 /2017 AS MINIMUM PITCH WILL INCREASE DEPENDING ON SHEET LENGTH.

DISCLAIMER:
All details are to be used for indicative purposes only and the designer should consult both the MRM code of practice, E2 and all other relevant building codes
Details of the supporting mechanisms are indicative only. Compliance of the supporting mechanisms is the responsibility of the designer. Construction detail can vary for wall cladding. The underlay is detailed as a single line for simplicity and is indicative only. Building paper type and method of installation should comply with underlay manufacturers recommendations and NZBC regulations.



- BUILDING PAPER IS THE COMMON GENERIC NAME FOR PERMEABLE ROOF AND WALL UNDERLAYS. PLEASE REFER TO NZBC E2/AS1 AND MRM CODE OF PRACTICE VERSION 3.0 /2017.

DISCLAIMER:
All details are to be used for indicative purposes only and the designer should consult both the MRM code of practice, E2 and all other relevant building codes
Details of the supporting mechanisms are indicative only. Compliance of the supporting mechanisms is the responsibility of the designer. Construction detail can vary for wall cladding. The underlay is detailed as a single line for simplicity and is indicative only. Building paper type and method of installation should comply with underlay manufacturers recommendations and NZBC regulations.

Metalcraft
Roofing

Chateau™

TILE BATTEN LAYOUT
RESIDENTIAL ROOFING

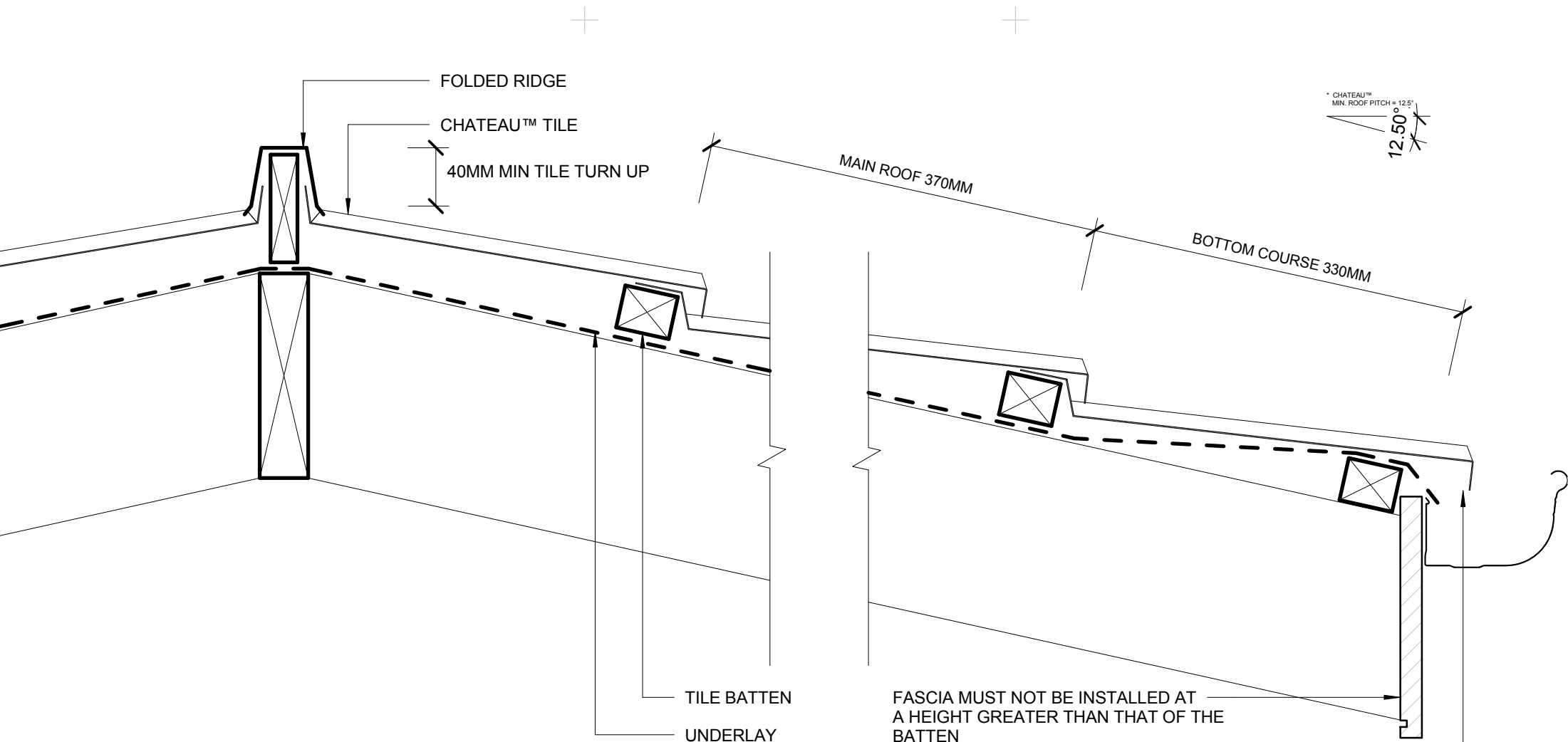
Reference RRT10

Date 31.07.2018

Scale 1 : 5

Sheet

12 / 17



- BUILDING PAPER IS THE COMMON GENERIC NAME FOR PERMEABLE ROOF AND WALL UNDERLAYS. PLEASE REFER TO NZBC E2/AS1 AND MRM CODE OF PRACTICE VERSION 3.0 /2017.

DISCLAIMER:
 All details are to be used for indicative purposes only and the designer should consult both the MRM code of practice, E2 and all other relevant building codes
 Details of the supporting mechanisms are indicative only. Compliance of the supporting mechanisms is the responsibility of the designer. Construction detail can vary for wall cladding. The underlay is detailed as a single line for simplicity and is indicative only. Building paper type and method of installation should comply with underlay manufacturers recommendations and NZBC regulations.

Chateau™

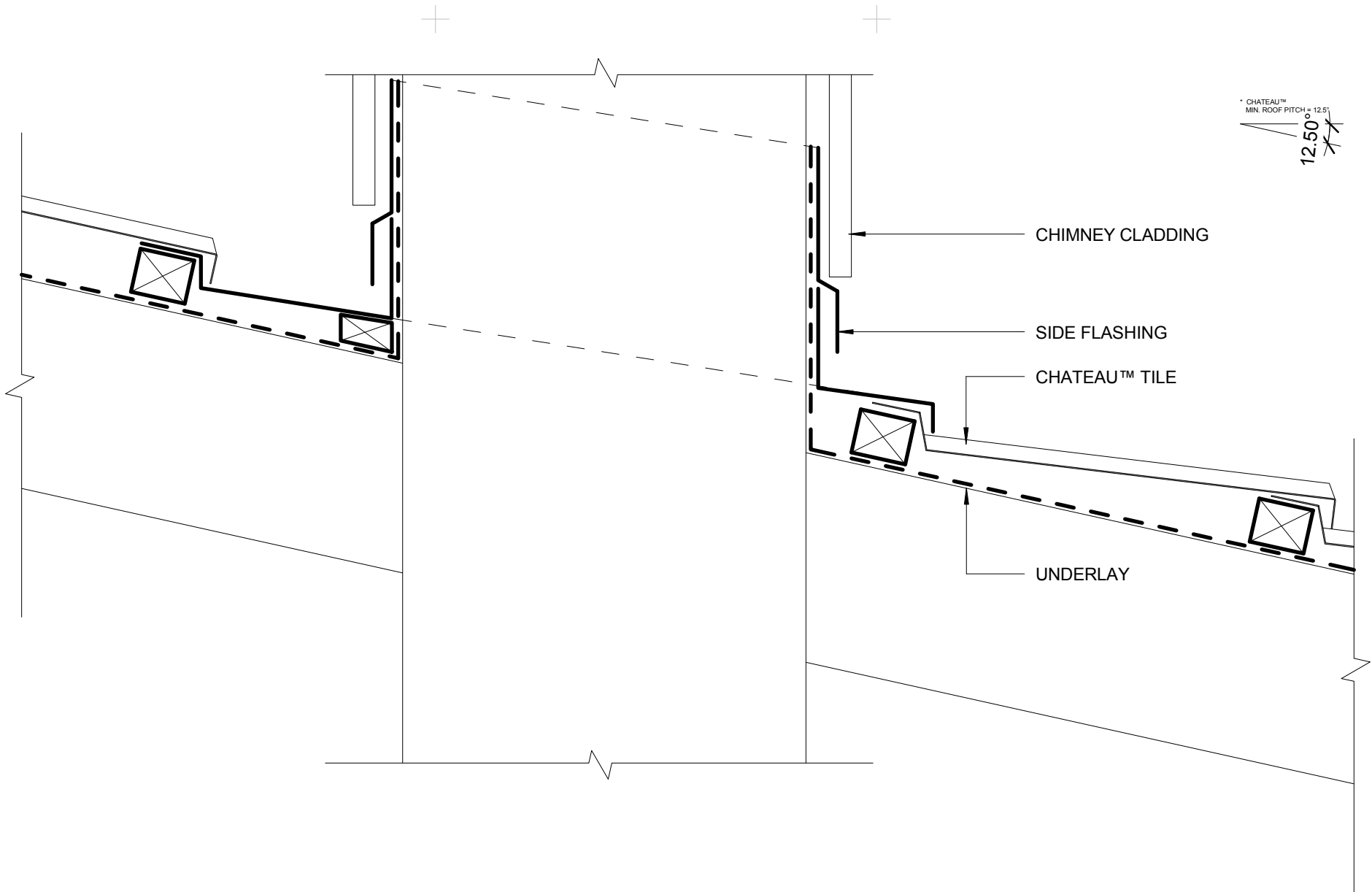
Reference RRT10

Date 31.07.2018

Scale 1 : 5

Sheet

TILE BATTEN LAYOUT
 RESIDENTIAL ROOFING



- BUILDING PAPER IS THE COMMON GENERIC NAME FOR PERMEABLE ROOF AND WALL UNDERLAYS. PLEASE REFER TO NZBC E2/AS1 AND MRM CODE OF PRACTICE VERSION 3.0 /2017.

* - PLEASE REFER TO MRM CODE OF PRACTICE VERSION 3.0 /2017 AS MINIMUM PITCH WILL INCREASE DEPENDING ON SHEET LENGTH.

DISCLAIMER:
All details are to be used for indicative purposes only and the designer should consult both the MRM code of practice, E2 and all other relevant building codes
Details of the supporting mechanisms are indicative only. Compliance of the supporting mechanisms is the responsibility of the designer. Construction detail can vary for wall cladding. The underlay is detailed as a single line for simplicity and is indicative only. Building paper type and method of installation should comply with underlay manufacturers recommendations and NZBC regulations.

Metalcraft
Roofing

Chateau™

CHIMNEY SIDE VIEW
RESIDENTIAL ROOFING

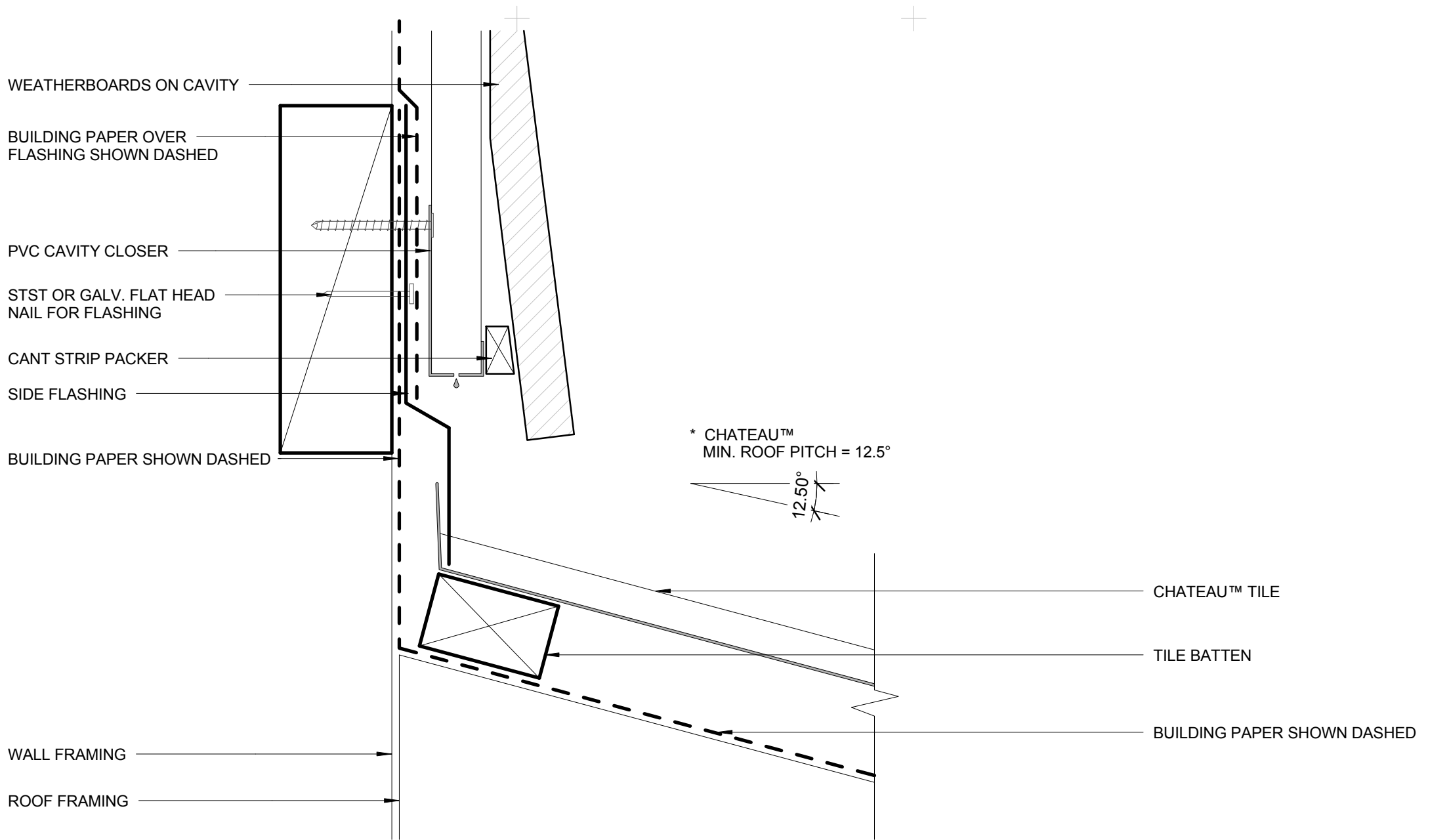
Reference RRT10

Date 31.07.2018

Scale 1 : 5

Sheet

14 / 17



- BUILDING PAPER IS THE COMMON GENERIC NAME FOR PERMEABLE ROOF AND WALL UNDERLAYS. PLEASE REFER TO NZBC E2/AS1 AND MRM CODE OF PRACTICE VERSION 3.0 /2017.

* - PLEASE REFER TO MRM CODE OF PRACTICE VERSION 3.0 /2017 AS MINIMUM PITCH WILL INCREASE DEPENDING ON SHEET LENGTH.

DISCLAIMER:
 All details are to be used for indicative purposes only and the designer should consult both the MRM code of practice, E2 and all other relevant building codes
 Details of the supporting mechanisms are indicative only. Compliance of the supporting mechanisms is the responsibility of the designer. Construction detail can vary for wall cladding. The underlay is detailed as a single line for simplicity and is indicative only. Building paper type and method of installation should comply with underlay manufacturers recommendations and NZBC regulations.

Chateau™

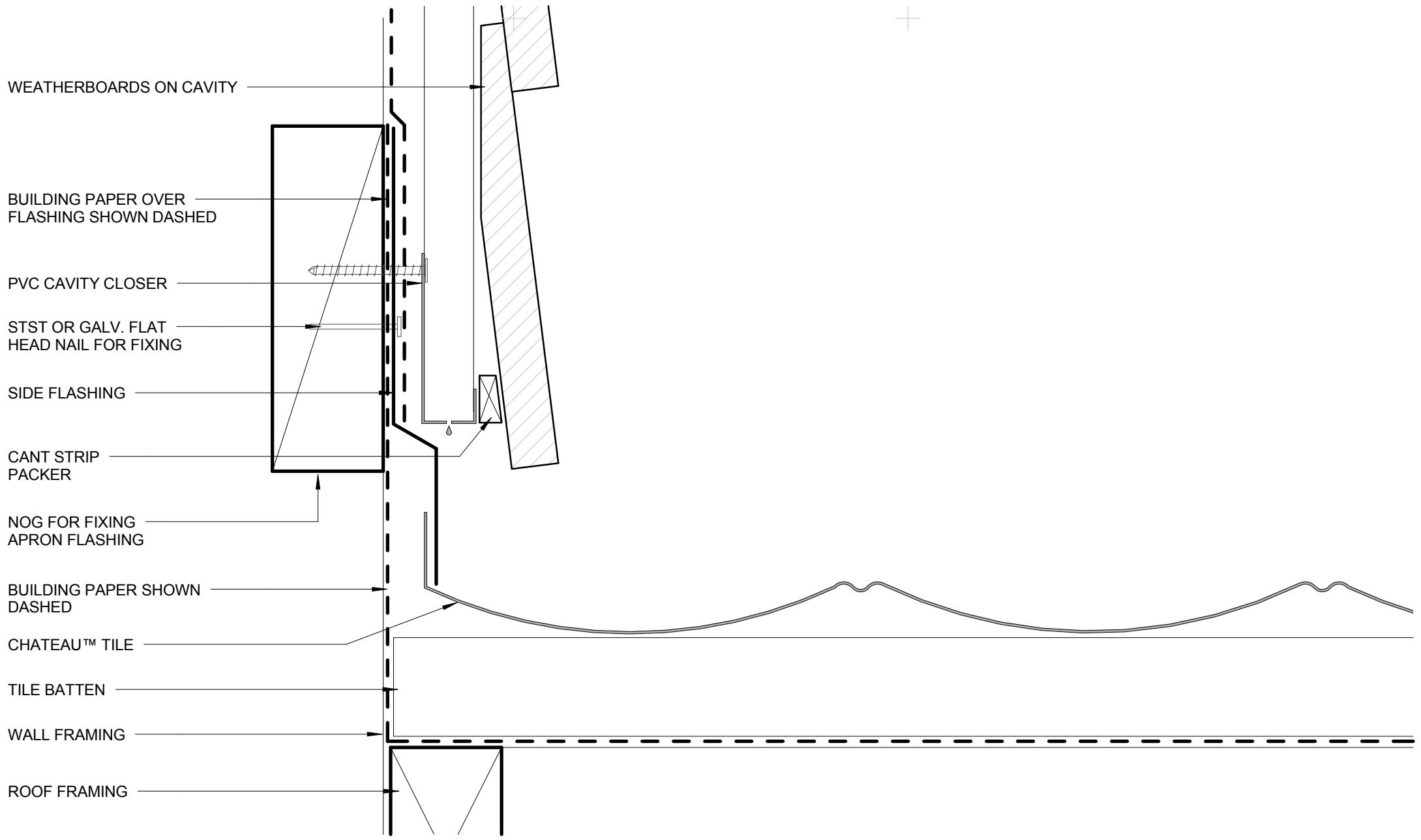
**HEAD APRON
 RESIDENTIAL ROOFING**

Reference RRT10

Date 31.07.2018

Scale 1 : 2

Sheet



- BUILDING PAPER IS THE COMMON GENERIC NAME FOR PERMEABLE ROOF AND WALL UNDERLAYS. PLEASE REFER TO NZBC E2/AS1 AND MRM CODE OF PRACTICE VERSION 3.0 /2017.

DISCLAIMER:
 All details are to be used for indicative purposes only and the designer should consult both the MRM code of practice, E2 and all other relevant building codes
 Details of the supporting mechanisms are indicative only. Compliance of the supporting mechanisms is the responsibility of the designer. Construction detail can vary for wall cladding. The underlay is detailed as a single line for simplicity and is indicative only. Building paper type and method of installation should comply with underlay manufacturers recommendations and NZBC regulations.

Chateau™

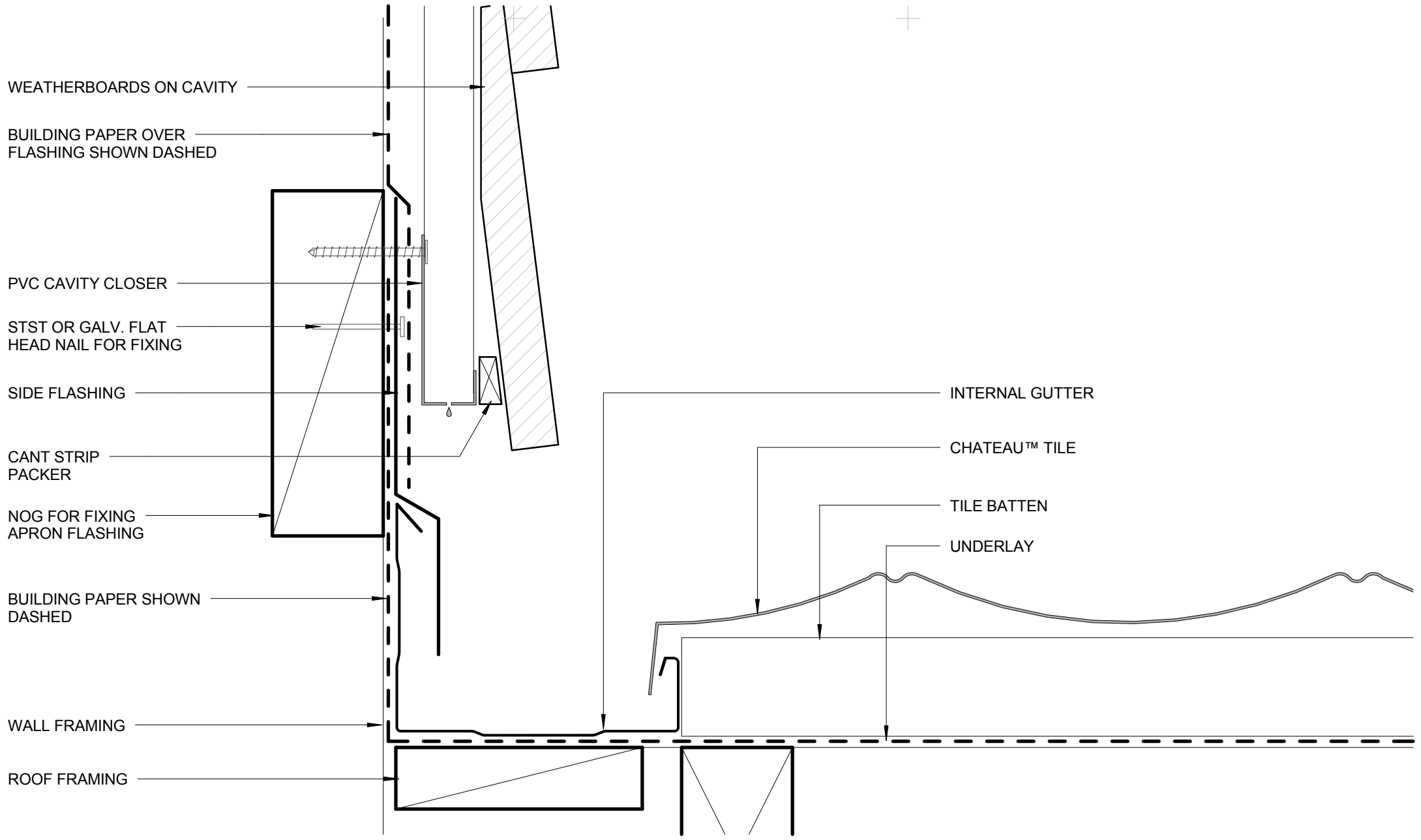
SIDE FLASHING
RESIDENTIAL ROOFING

Reference RRT10

Date 31.07.2018

Scale 1 : 2

Sheet



WEATHERBOARDS ON CAVITY

BUILDING PAPER OVER FLASHING SHOWN DASHED

PVC CAVITY CLOSER

STST OR GALV. FLAT HEAD NAIL FOR FIXING

SIDE FLASHING

CANT STRIP PACKER

NOG FOR FIXING APRON FLASHING

BUILDING PAPER SHOWN DASHED

WALL FRAMING

ROOF FRAMING

INTERNAL GUTTER

CHATEAU™ TILE

TILE BATTEN

UNDERLAY

- BUILDING PAPER IS THE COMMON GENERIC NAME FOR PERMEABLE ROOF AND WALL UNDERLAYS. PLEASE REFER TO NZBC E2/AS1 AND MRM CODE OF PRACTICE VERSION 3.0 /2017.

* - PLEASE REFER TO MRM CODE OF PRACTICE VERSION 3.0 /2017 AS MINIMUM PITCH WILL INCREASE DEPENDING ON SHEET LENGTH.

DISCLAIMER:
All details are to be used for indicative purposes only and the designer should consult both the MRM code of practice, E2 and all other relevant building codes
Details of the supporting mechanisms are indicative only. Compliance of the supporting mechanisms is the responsibility of the designer. Construction detail can vary for wall cladding. The underlay is detailed as a single line for simplicity and is indicative only. Building paper type and method of installation should comply with underlay manufacturers recommendations and NZBC regulations.

SECRET GUTTER
RESIDENTIAL ROOFING