

# Shake™

## RESIDENTIAL ROOFING

### DETAIL LIST

00 / 17	COVER SHEET
01 / 17	VALLEY FLASHING
02 / 17	BARREL RIDGE
03 / 17	ANGLE RIDGE
04 / 17	FOLDED RIDGE
05 / 17	BARREL BARGE
06 / 17	ANGLE BARGE
07 / 17	FOLDED BARGE
08 / 17	BARREL CAP BARGE
09 / 17	ANGLE CAP BARGE
10 / 17	FOLDED CAP BARGE
11 / 17	TILE BATTEN LAYOUT
12 / 17	TILE BATTEN LAYOUT
13 / 17	TILE BATTEN LAYOUT
14 / 17	CHIMNEY SIDE VIEW
15 / 17	HEAD APRON
16 / 17	SIDE FLASHING
17 / 17	SECRET GUTTER

RRT20

0800 ROOFNZ (0800 766 369)  
[www.metalcraftroofing.co.nz](http://www.metalcraftroofing.co.nz)

Architectural / Specification Enquiries

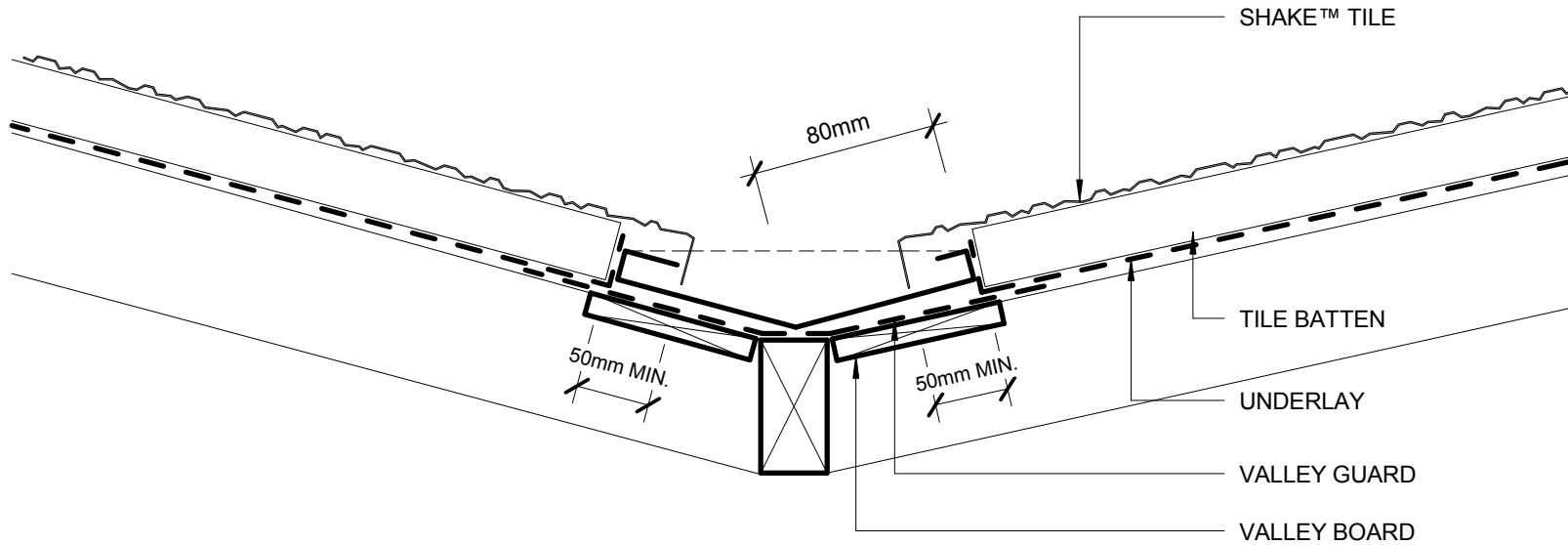
Ph: 09 274 0408

Mobile: 027 603 1096

Email: [Frances.charles@unitedindustries.co.nz](mailto:Frances.charles@unitedindustries.co.nz)

**Metalcraft**  
Roofing

\*SHAKE™  
MIN. ROOF PITCH = 15°



- BUILDING PAPER IS THE COMMON GENERIC NAME FOR PERMEABLE ROOF AND WALL UNDERLAYS. PLEASE REFER TO NZBC E2/AS1 AND MRM CODE OF PRACTICE VERSION 3.0 /2017.

\* - PLEASE REFER TO MRM CODE OF PRACTICE VERSION 3.0 /2017 AS MINIMUM PITCH WILL INCREASE DEPENDING ON SHEET LENGTH.

DISCLAIMER:  
All details are to be used for indicative purposes only and the designer should consult both the MRM code of practice, E2 and all other relevant building codes  
Details of the supporting mechanisms are indicative only. Compliance of the supporting mechanisms is the responsibility of the designer. Construction detail can vary for wall cladding. The underlay is detailed as a single line for simplicity and is indicative only. Building paper type and method of installation should comply with underlay manufacturers recommendations and NZBC regulations.

## VALLEY FLASHING RESIDENTIAL ROOFING

**Metalcraft**  
Roofing

Shake™

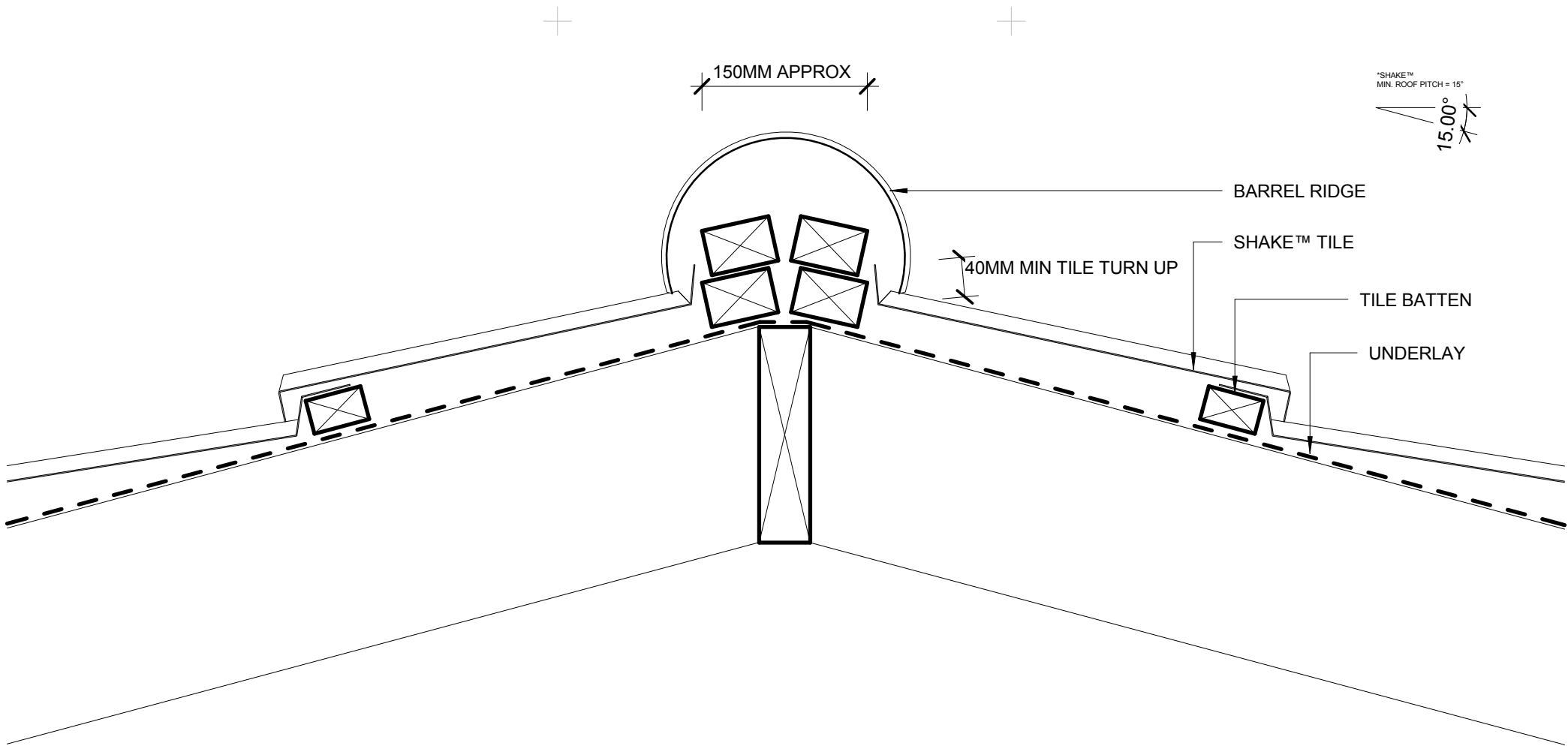
Reference RRT20

Date 31.07.2018

Scale 1 : 5

Sheet

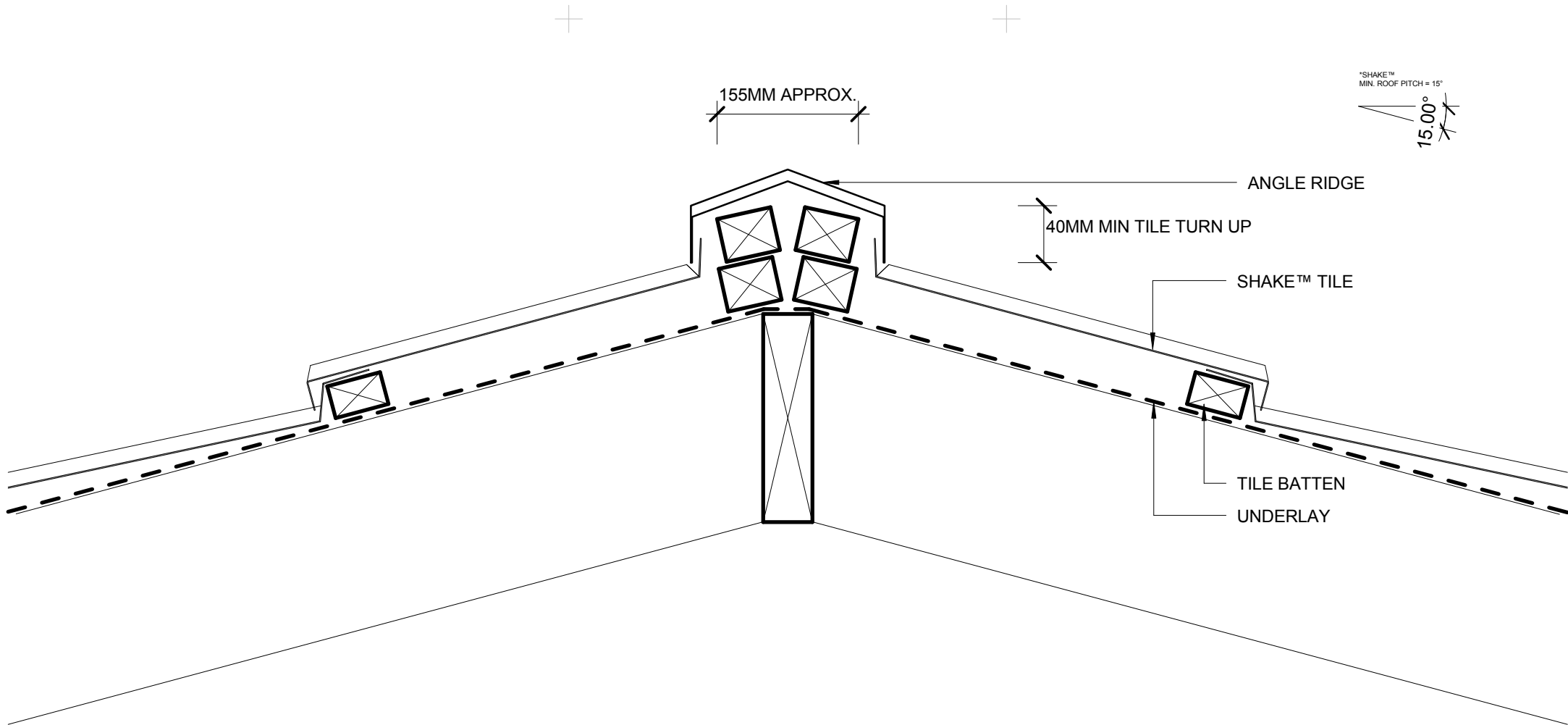
**01 / 17**



- BUILDING PAPER IS THE COMMON GENERIC NAME FOR PERMEABLE ROOF AND WALL UNDERLAYS. PLEASE REFER TO NZBC E2/AS1 AND MRM CODE OF PRACTICE VERSION 3.0 /2017.

\* - PLEASE REFER TO MRM CODE OF PRACTICE VERSION 3.0 /2017 AS MINIMUM PITCH WILL INCREASE DEPENDING ON SHEET LENGTH.

DISCLAIMER:  
All details are to be used for indicative purposes only and the designer should consult both the MRM code of practice, E2 and all other relevant building codes  
Details of the supporting mechanisms are indicative only. Compliance of the supporting mechanisms is the responsibility of the designer. Construction detail can vary for wall cladding. The underlay is detailed as a single line for simplicity and is indicative only. Building paper type and method of installation should comply with underlay manufacturers recommendations and NZBC regulations.



- BUILDING PAPER IS THE COMMON GENERIC NAME FOR PERMEABLE ROOF AND WALL UNDERLAYS. PLEASE REFER TO NZBC E2/AS1 AND MRM CODE OF PRACTICE VERSION 3.0 /2017.

\* - PLEASE REFER TO MRM CODE OF PRACTICE VERSION 3.0 /2017 AS MINIMUM PITCH WILL INCREASE DEPENDING ON SHEET LENGTH.

DISCLAIMER:  
All details are to be used for indicative purposes only and the designer should consult both the MRM code of practice, E2 and all other relevant building codes  
Details of the supporting mechanisms are indicative only. Compliance of the supporting mechanisms is the responsibility of the designer. Construction detail can vary for wall cladding. The underlay is detailed as a single line for simplicity and is indicative only. Building paper type and method of installation should comply with underlay manufacturers recommendations and NZBC regulations.

**Metalcraft**  
Roofing

Shake™

**ANGLE RIDGE**  
**RESIDENTIAL ROOFING**

Reference RRT20

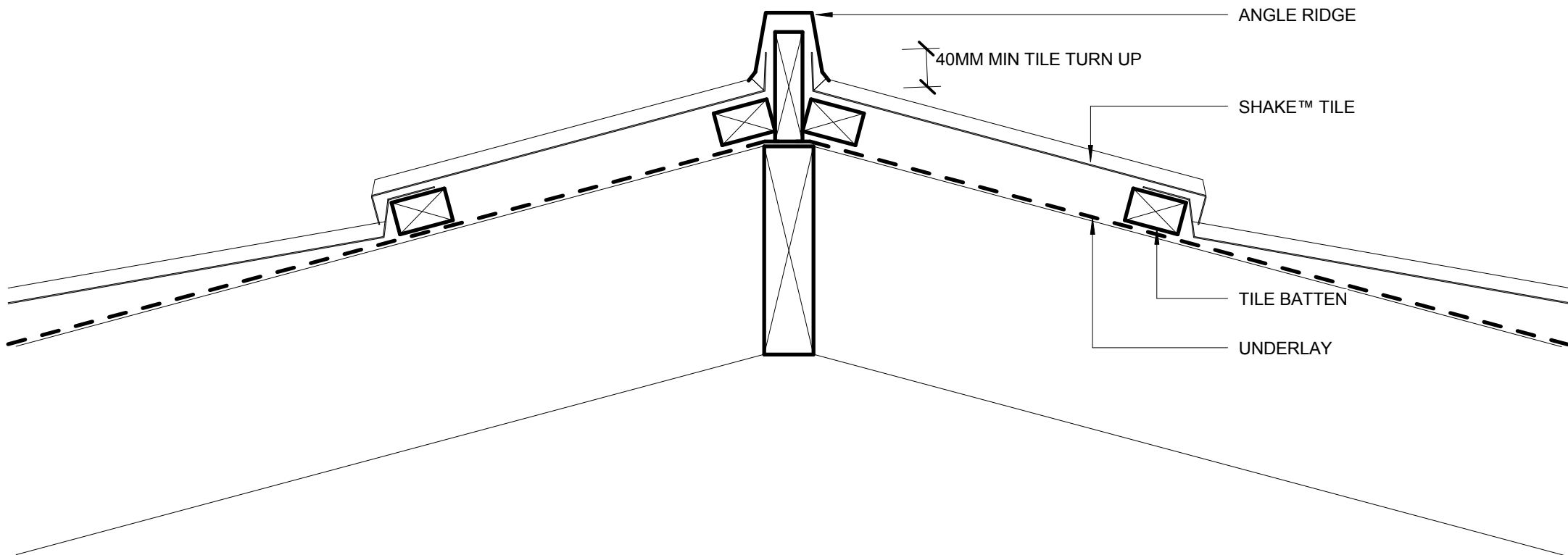
Date 31.07.2018

Scale 1 : 5

Sheet

**03 / 17**

\*SHAKE™  
MIN. ROOF PITCH = 15°



ANGLE RIDGE

40MM MIN TILE TURN UP

SHAKE™ TILE

TILE BATTEN

UNDERLAY

- BUILDING PAPER IS THE COMMON GENERIC NAME FOR PERMEABLE ROOF AND WALL UNDERLAYS. PLEASE REFER TO NZBC E2/AS1 AND MRM CODE OF PRACTICE VERSION 3.0 /2017.

\* - PLEASE REFER TO MRM CODE OF PRACTICE VERSION 3.0 /2017 AS MINIMUM PITCH WILL INCREASE DEPENDING ON SHEET LENGTH.

DISCLAIMER:  
All details are to be used for indicative purposes only and the designer should consult both the MRM code of practice, E2 and all other relevant building codes  
Details of the supporting mechanisms are indicative only. Compliance of the supporting mechanisms is the responsibility of the designer. Construction detail can vary for wall cladding. The underlay is detailed as a single line for simplicity and is indicative only. Building paper type and method of installation should comply with underlay manufacturers recommendations and NZBC regulations.

**Metalcraft**  
Roofing

Shake™

**FOLDED RIDGE**  
RESIDENTIAL ROOFING

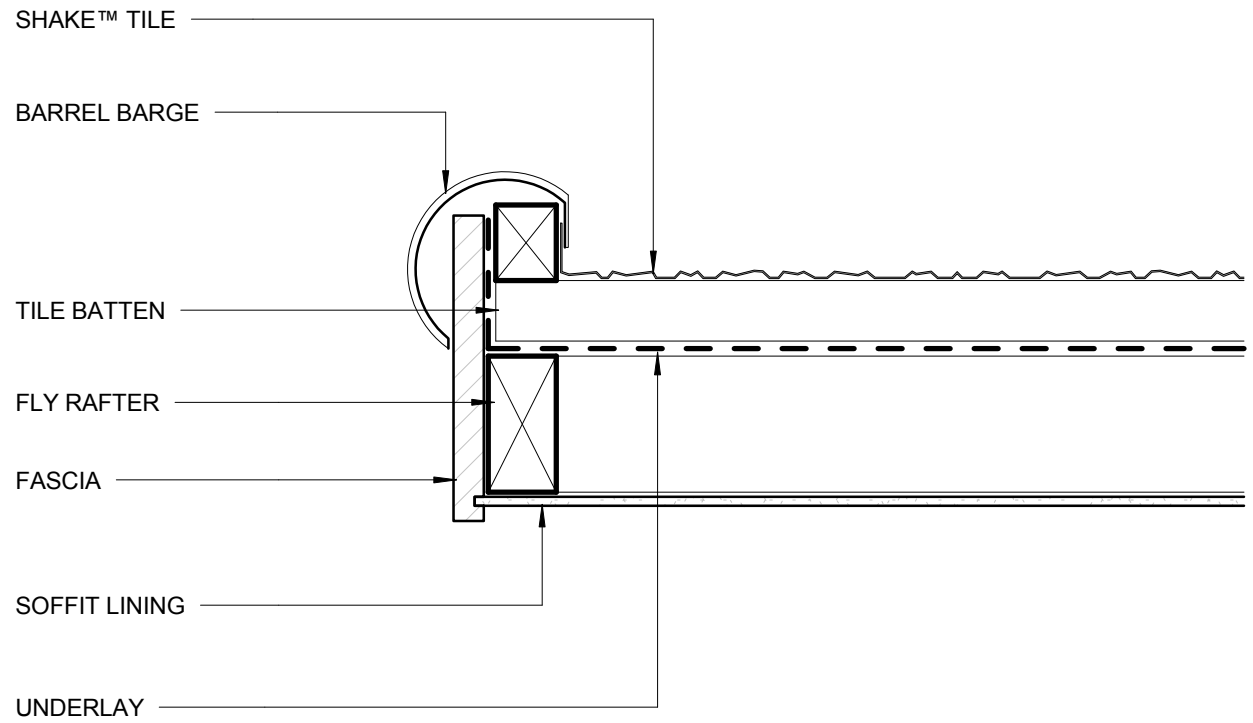
Reference RRT20

Date 31.07.2018

Scale 1 : 5

Sheet

**04 / 17**

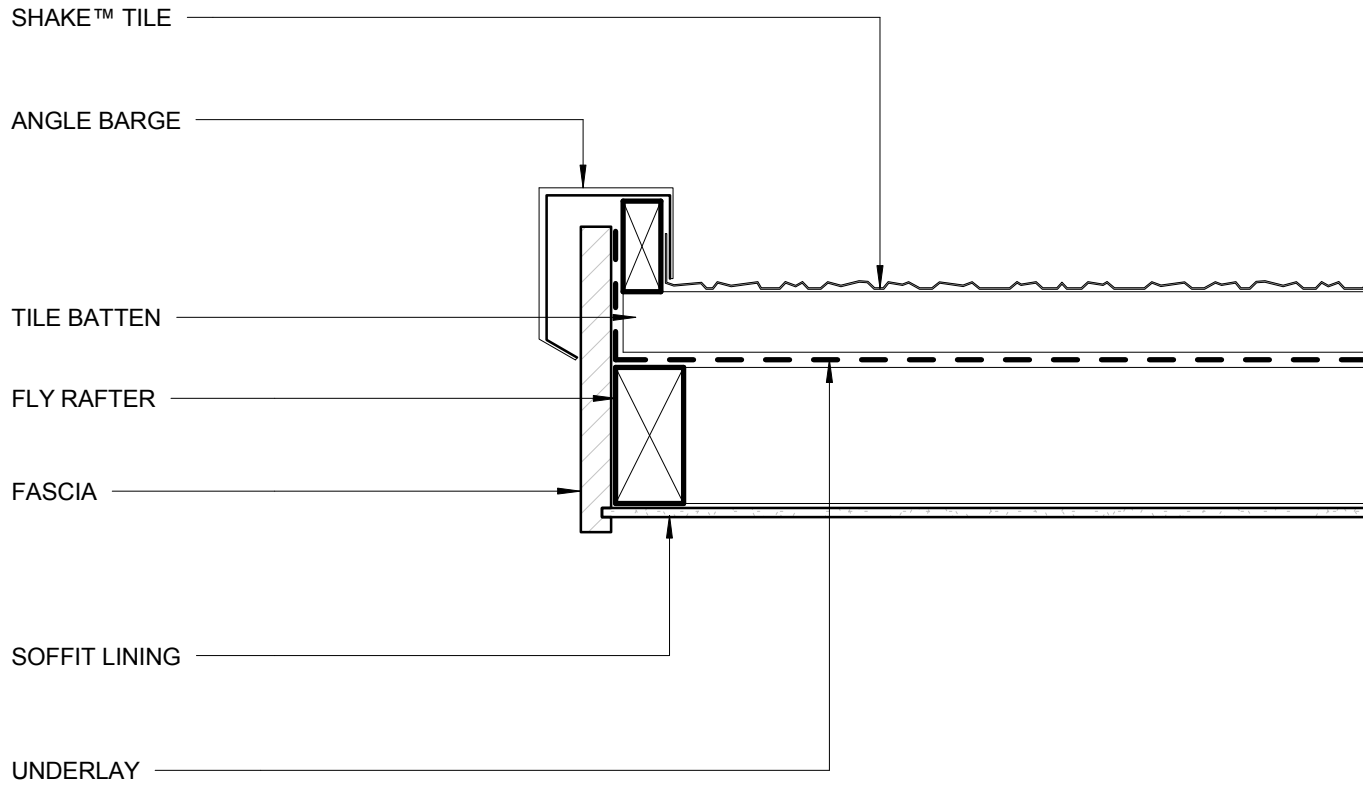


- BUILDING PAPER IS THE COMMON GENERIC NAME FOR PERMEABLE ROOF AND WALL UNDERLAYS. PLEASE REFER TO NZBC E2/AS1 AND MRM CODE OF PRACTICE VERSION 3.0 /2017.

\* - PLEASE REFER TO MRM CODE OF PRACTICE VERSION 3.0 /2017 AS MINIMUM PITCH WILL INCREASE DEPENDING ON SHEET LENGTH.

DISCLAIMER:  
 All details are to be used for indicative purposes only and the designer should consult both the MRM code of practice, E2 and all other relevant building codes  
 Details of the supporting mechanisms are indicative only. Compliance of the supporting mechanisms is the responsibility of the designer. Construction detail can vary for wall cladding. The underlay is detailed as a single line for simplicity and is indicative only. Building paper type and method of installation should comply with underlay manufacturers recommendations and NZBC regulations.

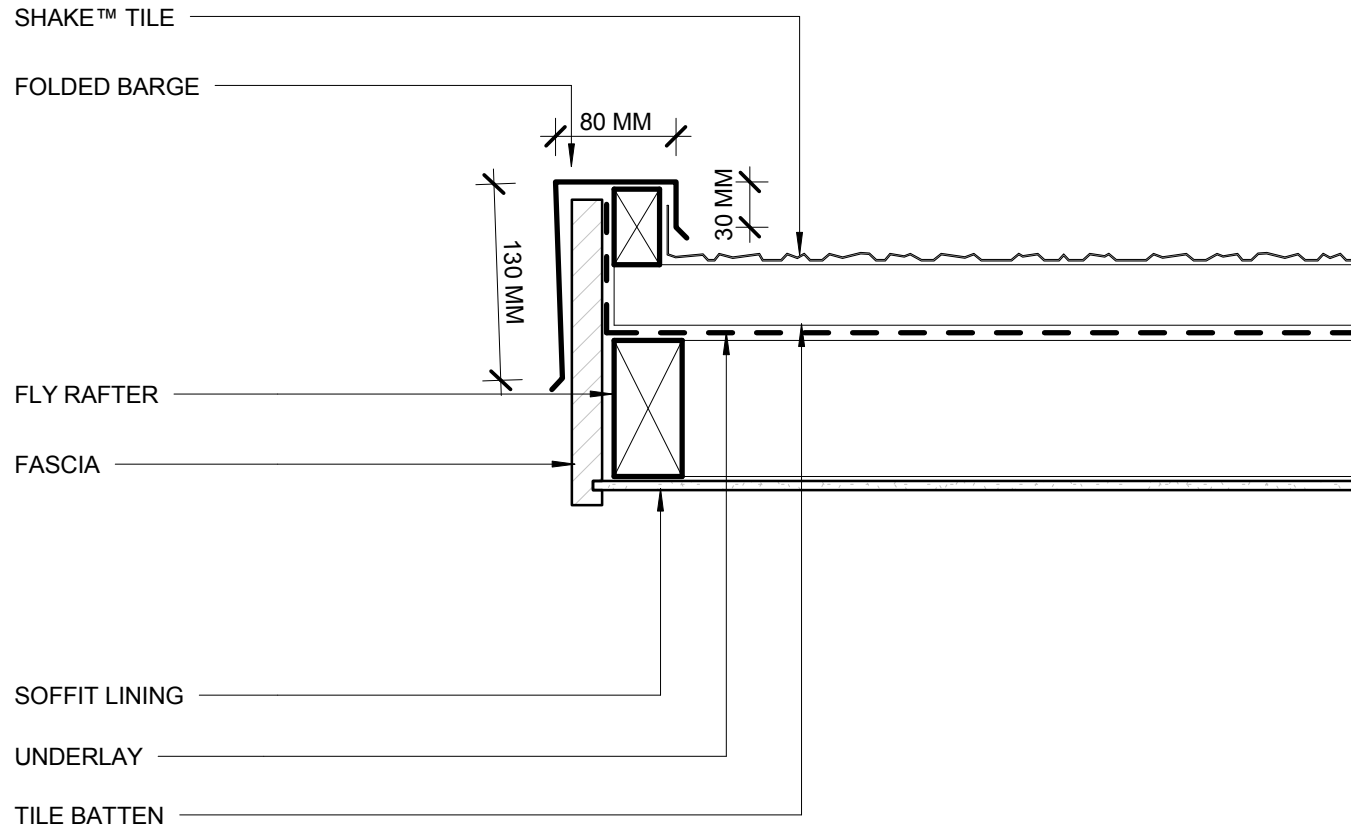
**BARREL BARGE**  
 RESIDENTIAL ROOFING



- BUILDING PAPER IS THE COMMON GENERIC NAME FOR PERMEABLE ROOF AND WALL UNDERLAYS. PLEASE REFER TO NZBC E2/AS1 AND MRM CODE OF PRACTICE VERSION 3.0 /2017.

\* - PLEASE REFER TO MRM CODE OF PRACTICE VERSION 3.0 /2017 AS MINIMUM PITCH WILL INCREASE DEPENDING ON SHEET LENGTH.

DISCLAIMER:  
 All details are to be used for indicative purposes only and the designer should consult both the MRM code of practice, E2 and all other relevant building codes  
 Details of the supporting mechanisms are indicative only. Compliance of the supporting mechanisms is the responsibility of the designer. Construction detail can vary for wall cladding. The underlay is detailed as a single line for simplicity and is indicative only. Building paper type and method of installation should comply with underlay manufacturers recommendations and NZBC regulations.

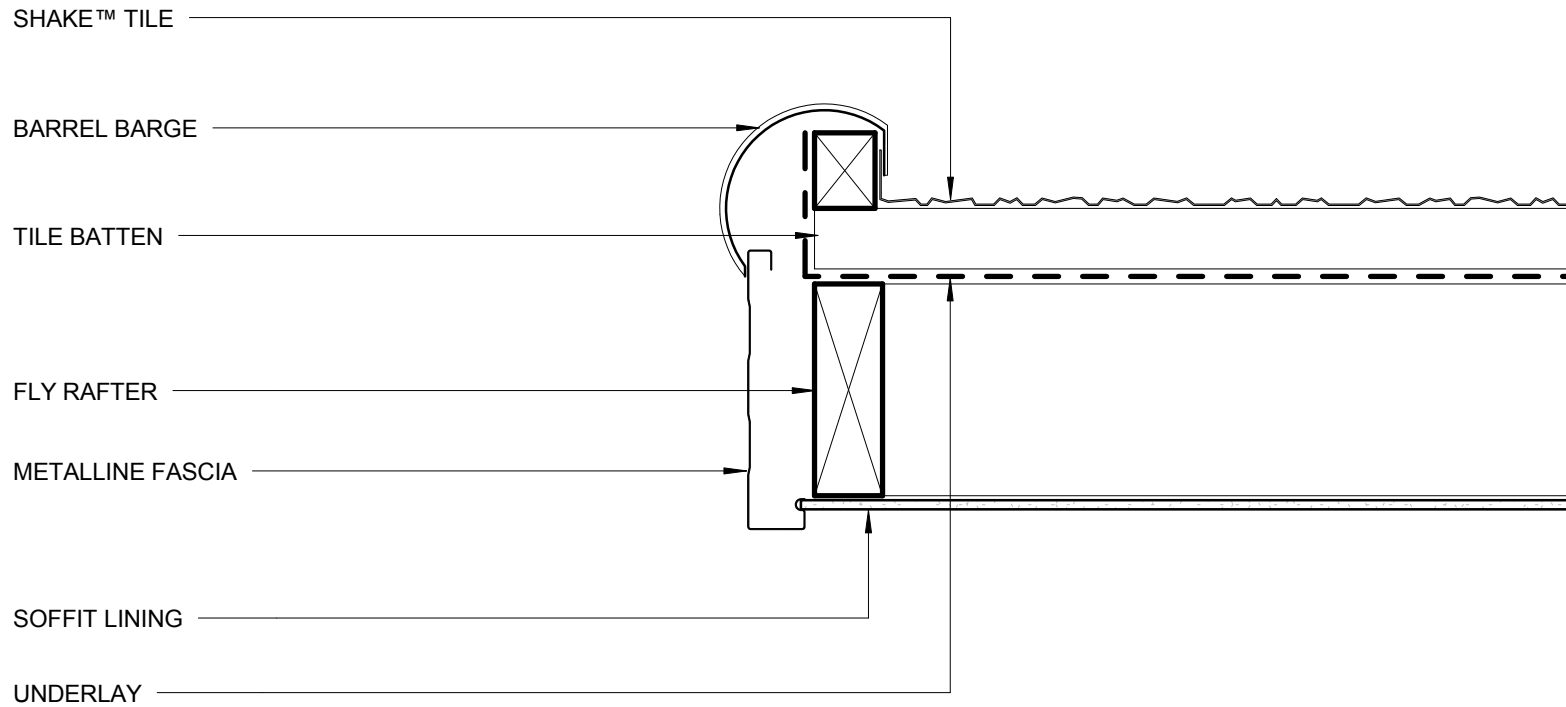


- BUILDING PAPER IS THE COMMON GENERIC NAME FOR PERMEABLE ROOF AND WALL UNDERLAYS. PLEASE REFER TO NZBC E2/AS1 AND MRM CODE OF PRACTICE VERSION 3.0 /2017.

\* - PLEASE REFER TO MRM CODE OF PRACTICE VERSION 3.0 /2017 AS MINIMUM PITCH WILL INCREASE DEPENDING ON SHEET LENGTH.

DISCLAIMER:  
All details are to be used for indicative purposes only and the designer should consult both the MRM code of practice, E2 and all other relevant building codes  
Details of the supporting mechanisms are indicative only. Compliance of the supporting mechanisms is the responsibility of the designer. Construction detail can vary for wall cladding. The underlay is detailed as a single line for simplicity and is indicative only. Building paper type and method of installation should comply with underlay manufacturers recommendations and NZBC regulations.



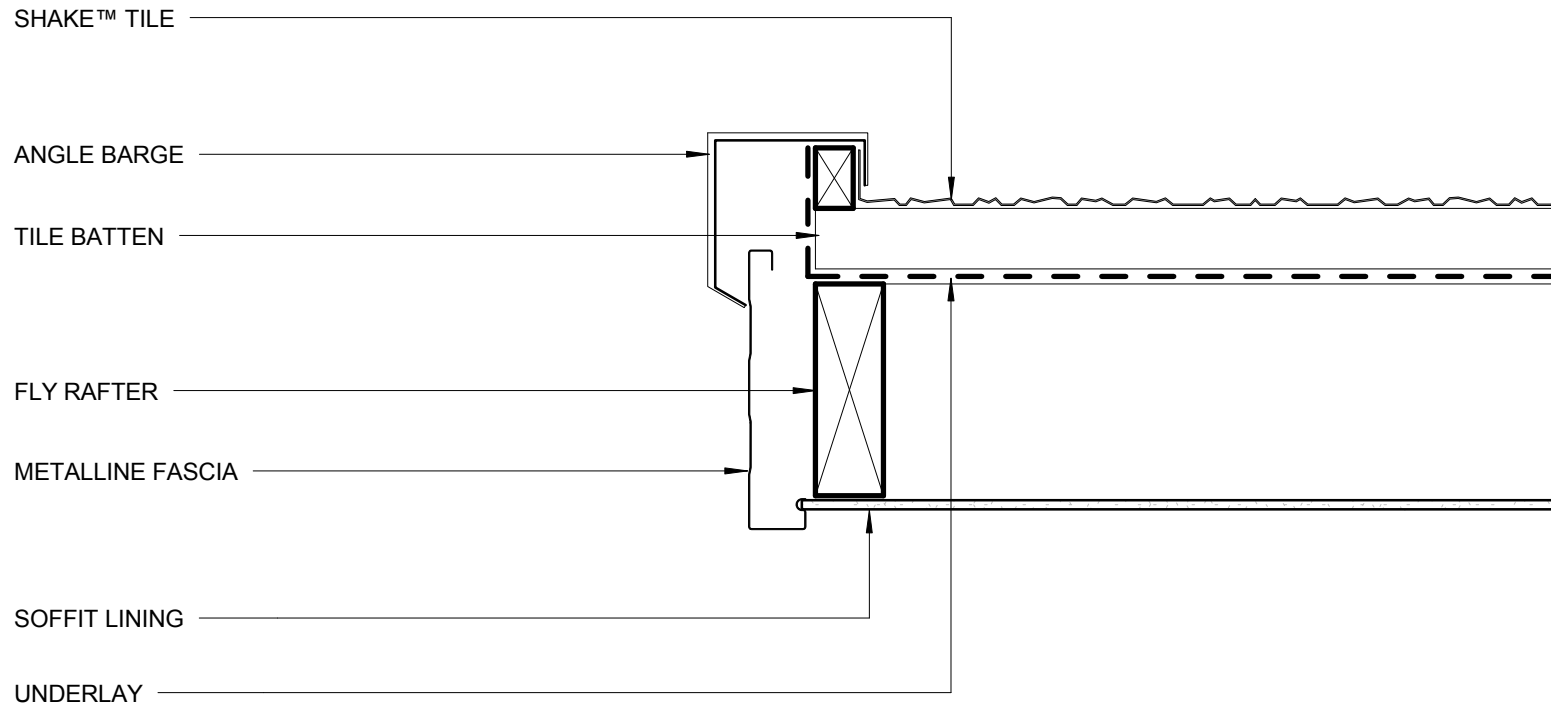


- BUILDING PAPER IS THE COMMON GENERIC NAME FOR PERMEABLE ROOF AND WALL UNDERLAYS. PLEASE REFER TO NZBC E2/AS1 AND MRM CODE OF PRACTICE VERSION 3.0 /2017.

\* - PLEASE REFER TO MRM CODE OF PRACTICE VERSION 3.0 /2017 AS MINIMUM PITCH WILL INCREASE DEPENDING ON SHEET LENGTH.

DISCLAIMER:  
 All details are to be used for indicative purposes only and the designer should consult both the MRM code of practice, E2 and all other relevant building codes  
 Details of the supporting mechanisms are indicative only. Compliance of the supporting mechanisms is the responsibility of the designer. Construction detail can vary for wall cladding. The underlay is detailed as a single line for simplicity and is indicative only. Building paper type and method of installation should comply with underlay manufacturers recommendations and NZBC regulations.

**BARREL CAP BARGE**  
 RESIDENTIAL ROOFING

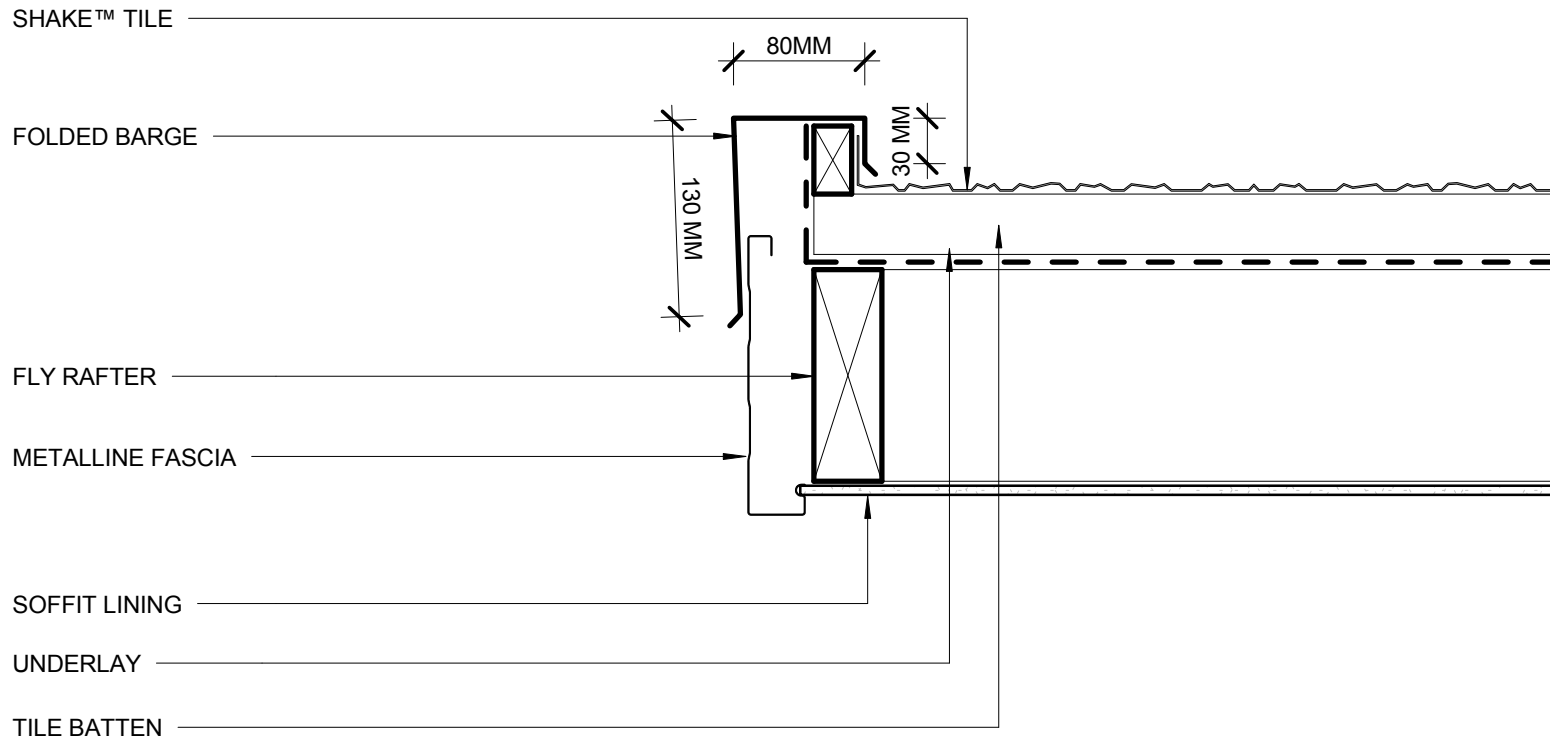


- BUILDING PAPER IS THE COMMON GENERIC NAME FOR PERMEABLE ROOF AND WALL UNDERLAYS. PLEASE REFER TO NZBC E2/AS1 AND MRM CODE OF PRACTICE VERSION 3.0 /2017.

\* - PLEASE REFER TO MRM CODE OF PRACTICE VERSION 3.0 /2017 AS MINIMUM PITCH WILL INCREASE DEPENDING ON SHEET LENGTH.

DISCLAIMER:  
 All details are to be used for indicative purposes only and the designer should consult both the MRM code of practice, E2 and all other relevant building codes  
 Details of the supporting mechanisms are indicative only. Compliance of the supporting mechanisms is the responsibility of the designer. Construction detail can vary for wall cladding. The underlay is detailed as a single line for simplicity and is indicative only. Building paper type and method of installation should comply with underlay manufacturers recommendations and NZBC regulations.

## ANGLE CAP BARGE RESIDENTIAL ROOFING



- BUILDING PAPER IS THE COMMON GENERIC NAME FOR PERMEABLE ROOF AND WALL UNDERLAYS. PLEASE REFER TO NZBC E2/AS1 AND MRM CODE OF PRACTICE VERSION 3.0 /2017.

\* - PLEASE REFER TO MRM CODE OF PRACTICE VERSION 3.0 /2017 AS MINIMUM PITCH WILL INCREASE DEPENDING ON SHEET LENGTH.

DISCLAIMER:  
All details are to be used for indicative purposes only and the designer should consult both the MRM code of practice, E2 and all other relevant building codes  
Details of the supporting mechanisms are indicative only. Compliance of the supporting mechanisms is the responsibility of the designer. Construction detail can vary for wall cladding. The underlay is detailed as a single line for simplicity and is indicative only. Building paper type and method of installation should comply with underlay manufacturers recommendations and NZBC regulations.

## FOLDED CAP BARGE RESIDENTIAL ROOFING

**Metalcraft**  
Roofing

Shake™

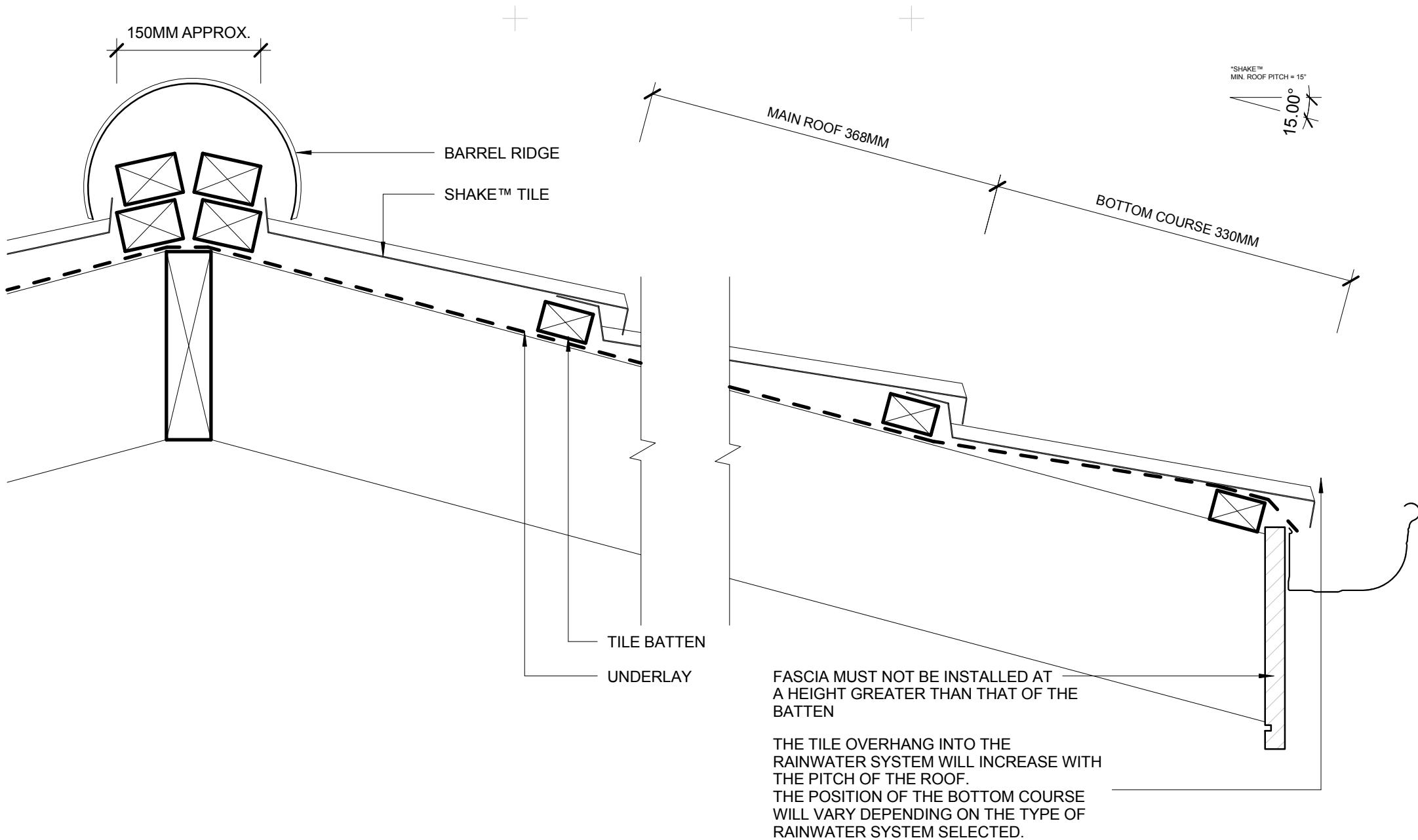
Reference RRT20

Date 31.07.2018

Scale 1 : 5

Sheet

**10 / 17**



- BUILDING PAPER IS THE COMMON GENERIC NAME FOR PERMEABLE ROOF AND WALL UNDERLAYS. PLEASE REFER TO NZBC E2/AS1 AND MRM CODE OF PRACTICE VERSION 3.0 /2017.

\* - PLEASE REFER TO MRM CODE OF PRACTICE VERSION 3.0 /2017 AS MINIMUM PITCH WILL INCREASE DEPENDING ON SHEET LENGTH.

DISCLAIMER:  
All details are to be used for indicative purposes only and the designer should consult both the MRM code of practice, E2 and all other relevant building codes  
Details of the supporting mechanisms are indicative only. Compliance of the supporting mechanisms is the responsibility of the designer. Construction detail can vary for wall cladding. The underlay is detailed as a single line for simplicity and is indicative only. Building paper type and method of installation should comply with underlay manufacturers recommendations and NZBC regulations.

**Metalcraft**  
Roofing

Shake™

**TILE BATTEN LAYOUT**  
RESIDENTIAL ROOFING

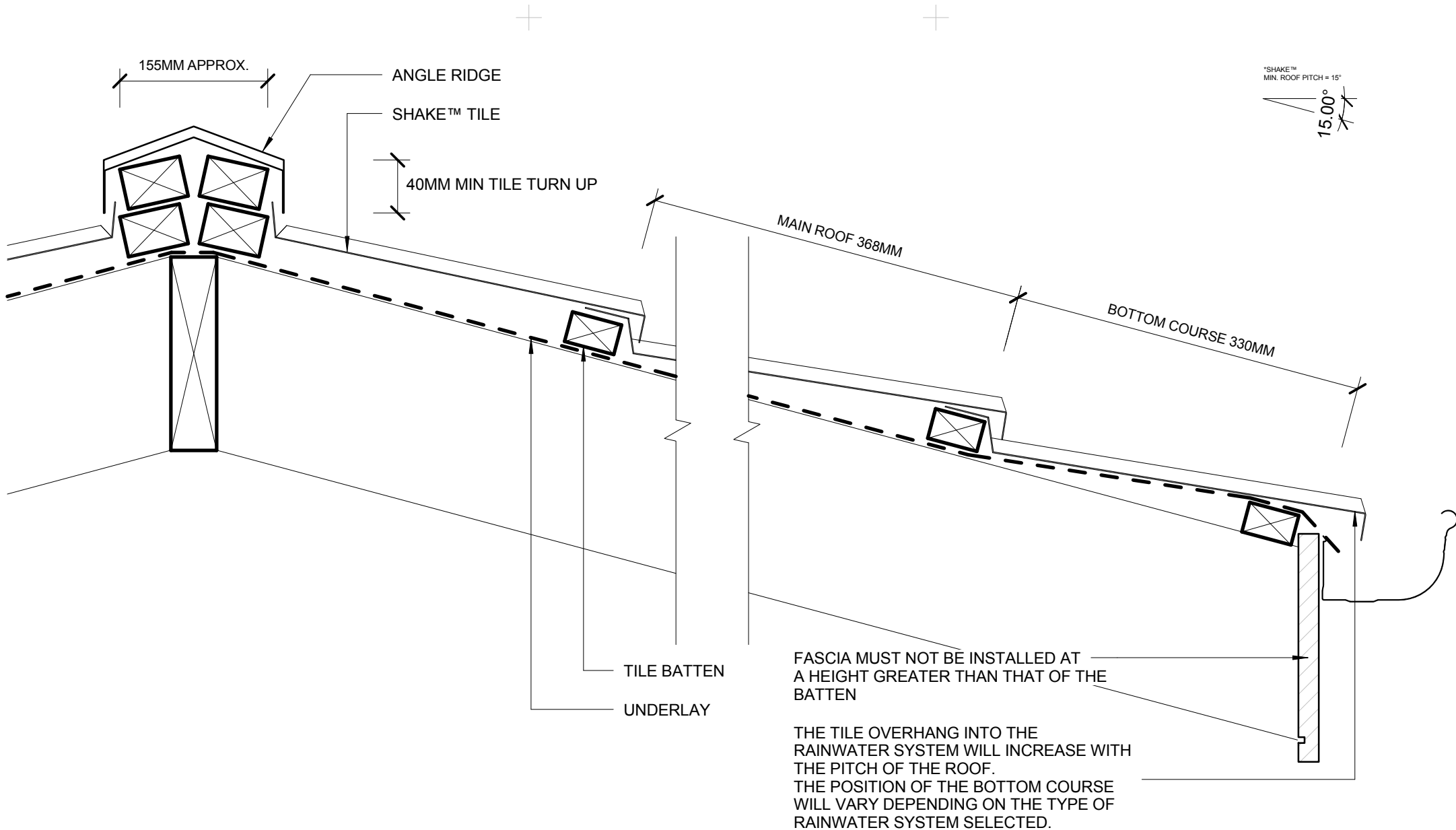
Reference RRT20

Date 31.07.2018

Scale 1 : 5

Sheet

**11 / 17**



- BUILDING PAPER IS THE COMMON GENERIC NAME FOR PERMEABLE ROOF AND WALL UNDERLAYS. PLEASE REFER TO NZBC E2/AS1 AND MRM CODE OF PRACTICE VERSION 3.0 /2017.

\* - PLEASE REFER TO MRM CODE OF PRACTICE VERSION 3.0 /2017 AS MINIMUM PITCH WILL INCREASE DEPENDING ON SHEET LENGTH.

DISCLAIMER:  
All details are to be used for indicative purposes only and the designer should consult both the MRM code of practice, E2 and all other relevant building codes  
Details of the supporting mechanisms are indicative only. Compliance of the supporting mechanisms is the responsibility of the designer. Construction detail can vary for wall cladding. The underlay is detailed as a single line for simplicity and is indicative only. Building paper type and method of installation should comply with underlay manufacturers recommendations and NZBC regulations.

**Metalcraft**  
Roofing

Shake™

**TILE BATTEN LAYOUT**  
RESIDENTIAL ROOFING

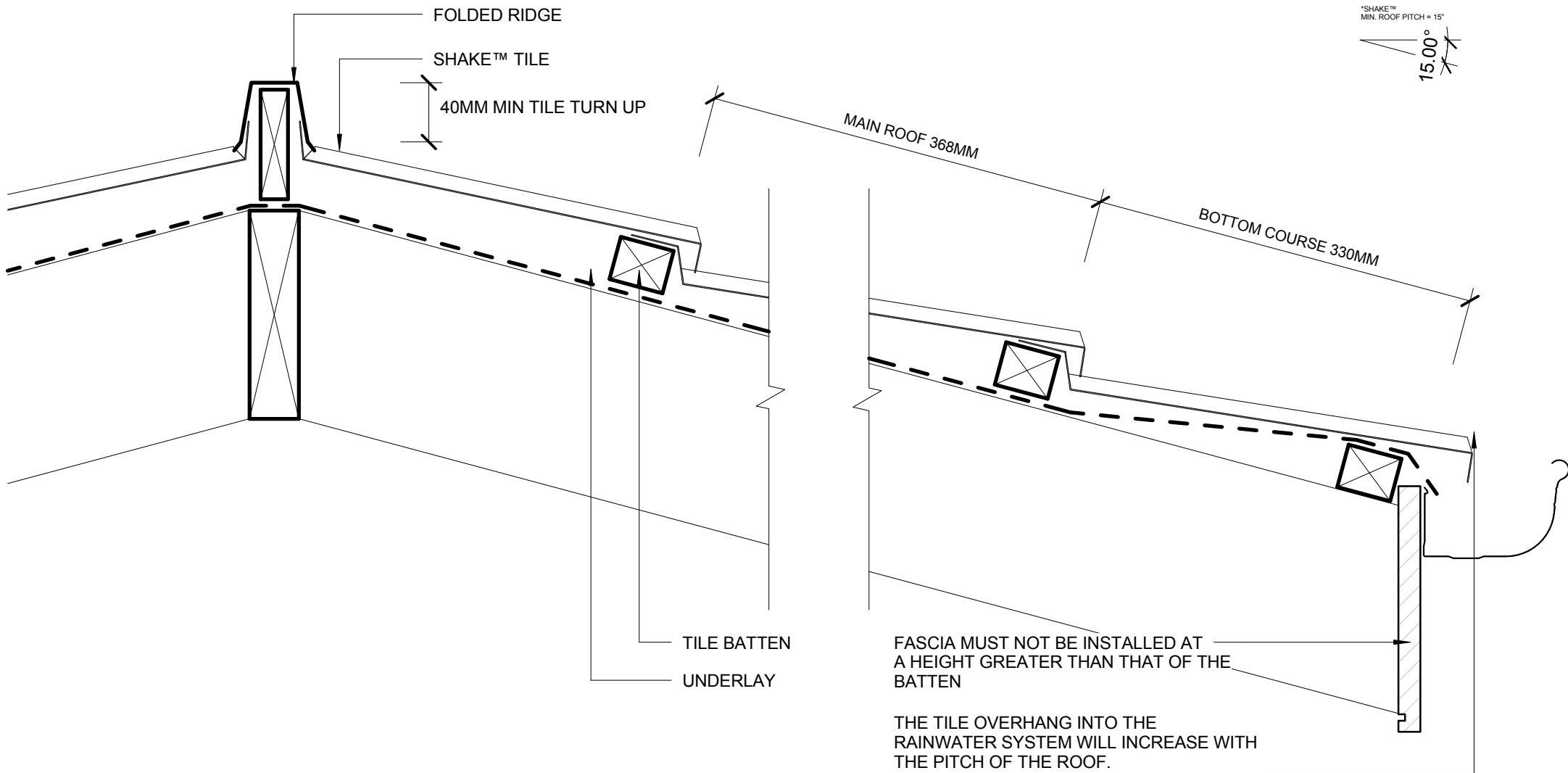
Reference RRT20

Date 31.07.2018

Scale 1 : 5

Sheet

**12 / 17**



- BUILDING PAPER IS THE COMMON GENERIC NAME FOR PERMEABLE ROOF AND WALL UNDERLAYS. PLEASE REFER TO NZBC E2/AS1 AND MRM CODE OF PRACTICE VERSION 3.0 /2017.

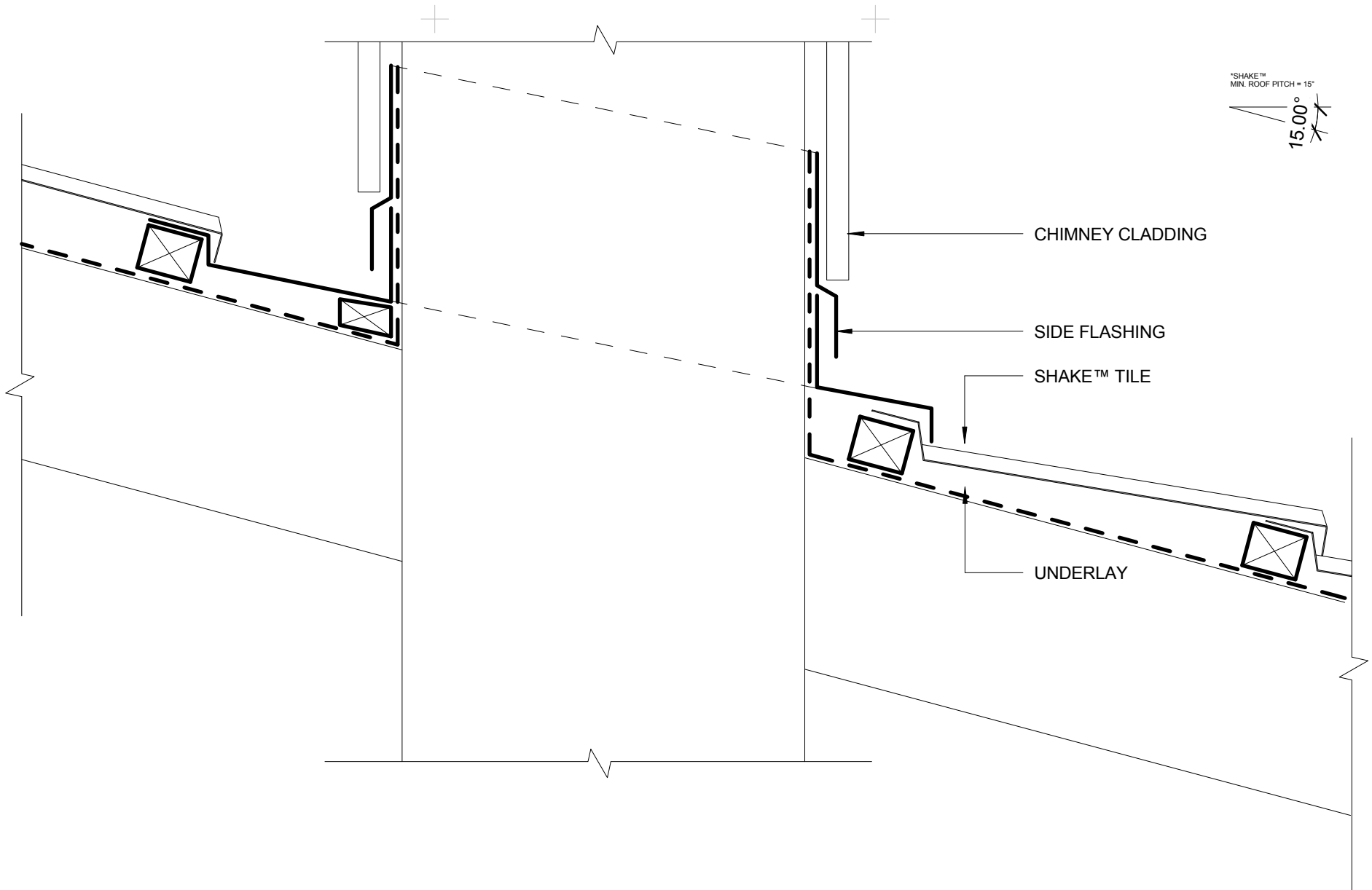
\* - PLEASE REFER TO MRM CODE OF PRACTICE VERSION 3.0 /2017 AS MINIMUM PITCH WILL INCREASE DEPENDING ON SHEET LENGTH.

DISCLAIMER:  
 All details are to be used for indicative purposes only and the designer should consult both the MRM code of practice, E2 and all other relevant building codes  
 Details of the supporting mechanisms are indicative only. Compliance of the supporting mechanisms is the responsibility of the designer. Construction detail can vary for wall cladding. The underlay is detailed as a single line for simplicity and is indicative only. Building paper type and method of installation should comply with underlay manufacturers recommendations and NZBC regulations.

FASCIA MUST NOT BE INSTALLED AT A HEIGHT GREATER THAN THAT OF THE BATTEN

THE TILE OVERHANG INTO THE RAINWATER SYSTEM WILL INCREASE WITH THE PITCH OF THE ROOF. THE POSITION OF THE BOTTOM COURSE WILL VARY DEPENDING ON THE TYPE OF RAINWATER SYSTEM SELECTED.

**TILE BATTEN LAYOUT**  
 RESIDENTIAL ROOFING



- BUILDING PAPER IS THE COMMON GENERIC NAME FOR PERMEABLE ROOF AND WALL UNDERLAYS. PLEASE REFER TO NZBC E2/AS1 AND MRM CODE OF PRACTICE VERSION 3.0 /2017.

\* - PLEASE REFER TO MRM CODE OF PRACTICE VERSION 3.0 /2017 AS MINIMUM PITCH WILL INCREASE DEPENDING ON SHEET LENGTH.

DISCLAIMER:  
 All details are to be used for indicative purposes only and the designer should consult both the MRM code of practice, E2 and all other relevant building codes  
 Details of the supporting mechanisms are indicative only. Compliance of the supporting mechanisms is the responsibility of the designer. Construction detail can vary for wall cladding. The underlay is detailed as a single line for simplicity and is indicative only. Building paper type and method of installation should comply with underlay manufacturers recommendations and NZBC regulations.

**CHIMNEY SIDE VIEW**  
 RESIDENTIAL ROOFING

**Metalcraft**  
 Roofing

Shake™

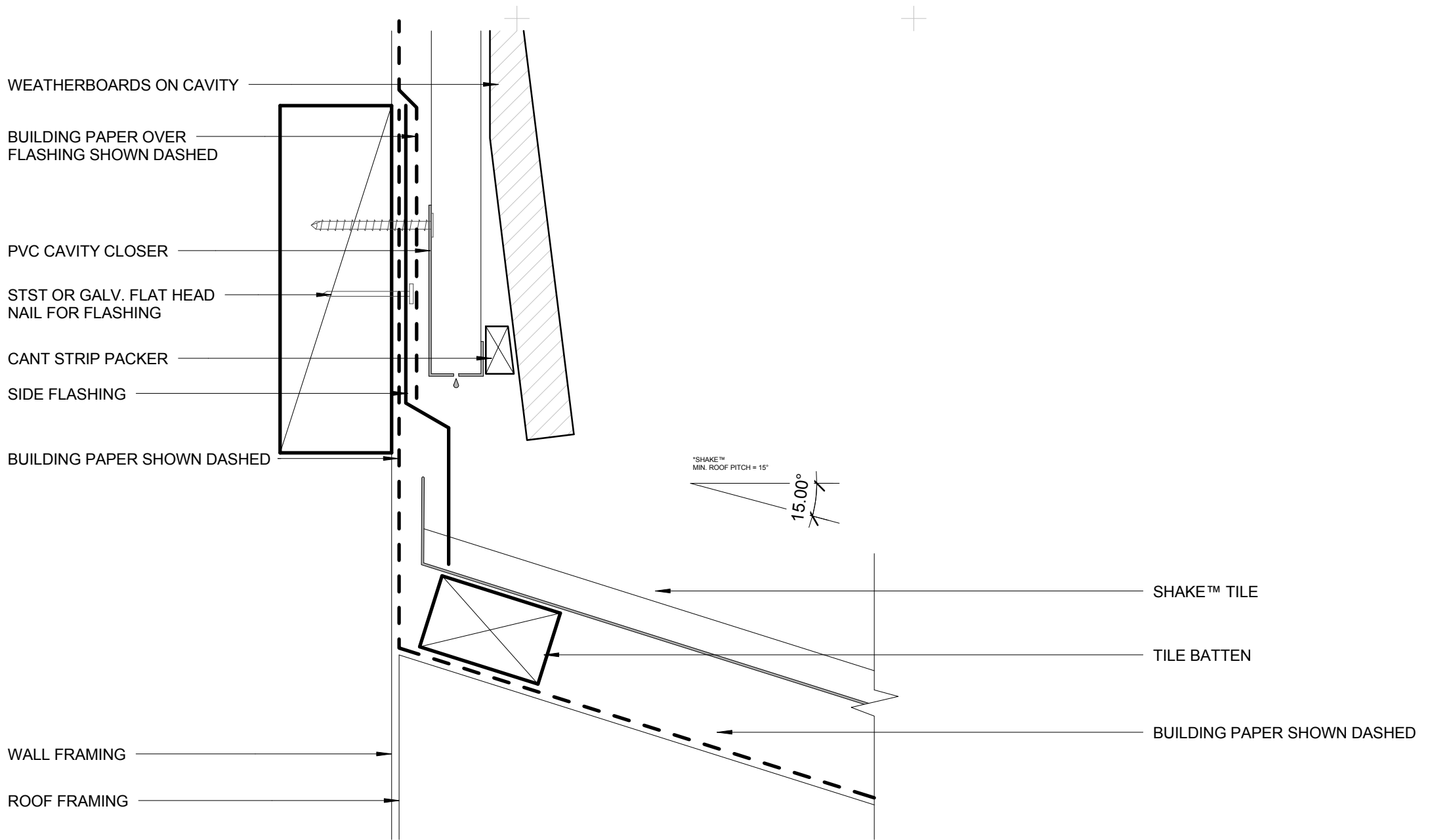
Reference RRT20

Date 31.07.2018

Scale 1 : 5

Sheet

**14 / 17**

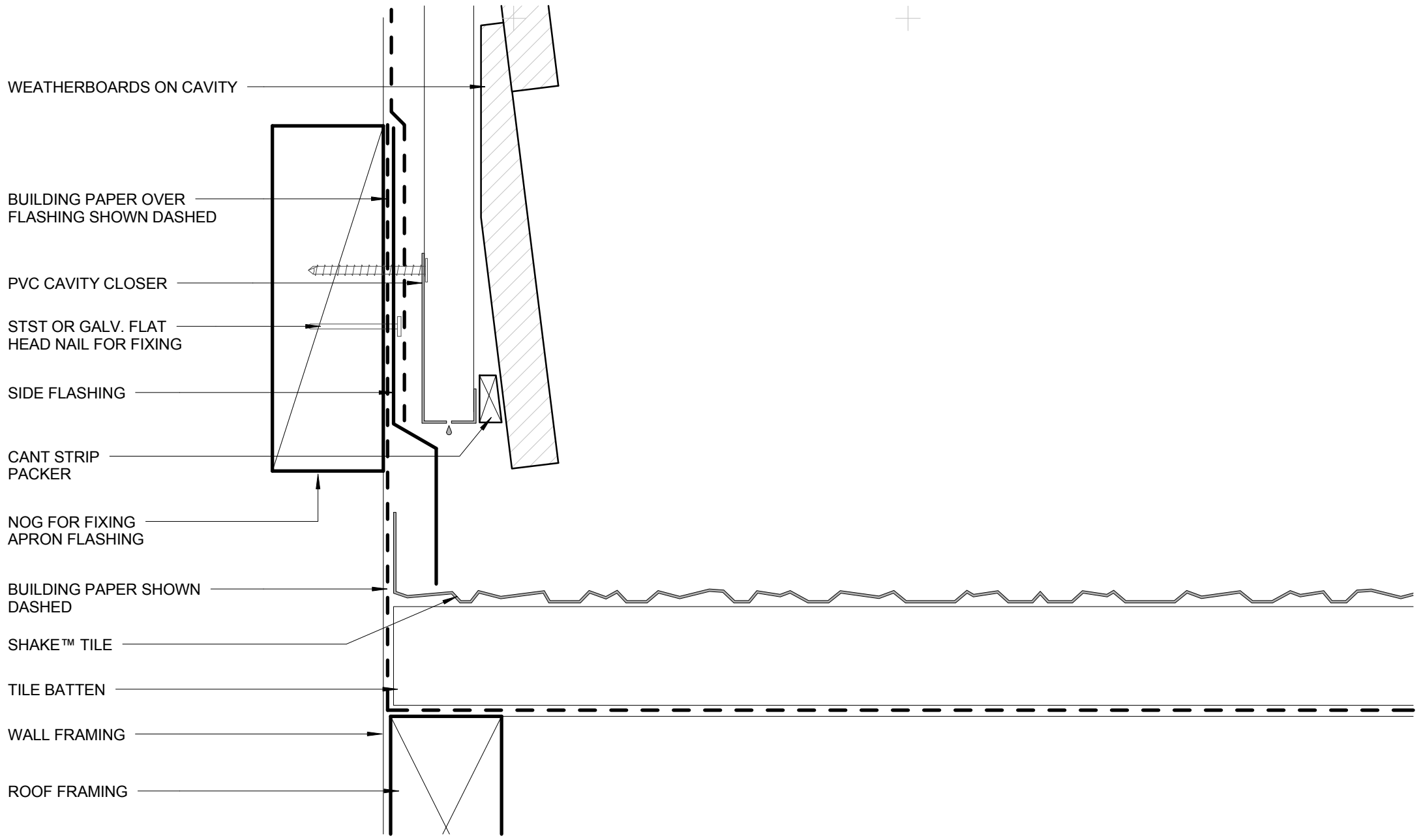


- BUILDING PAPER IS THE COMMON GENERIC NAME FOR PERMEABLE ROOF AND WALL UNDERLAYS. PLEASE REFER TO NZBC E2/AS1 AND MRM CODE OF PRACTICE VERSION 3.0 /2017.

\* - PLEASE REFER TO MRM CODE OF PRACTICE VERSION 3.0 /2017 AS MINIMUM PITCH WILL INCREASE DEPENDING ON SHEET LENGTH.

DISCLAIMER:  
 All details are to be used for indicative purposes only and the designer should consult both the MRM code of practice, E2 and all other relevant building codes  
 Details of the supporting mechanisms are indicative only. Compliance of the supporting mechanisms is the responsibility of the designer. Construction detail can vary for wall cladding. The underlay is detailed as a single line for simplicity and is indicative only. Building paper type and method of installation should comply with underlay manufacturers recommendations and NZBC regulations.



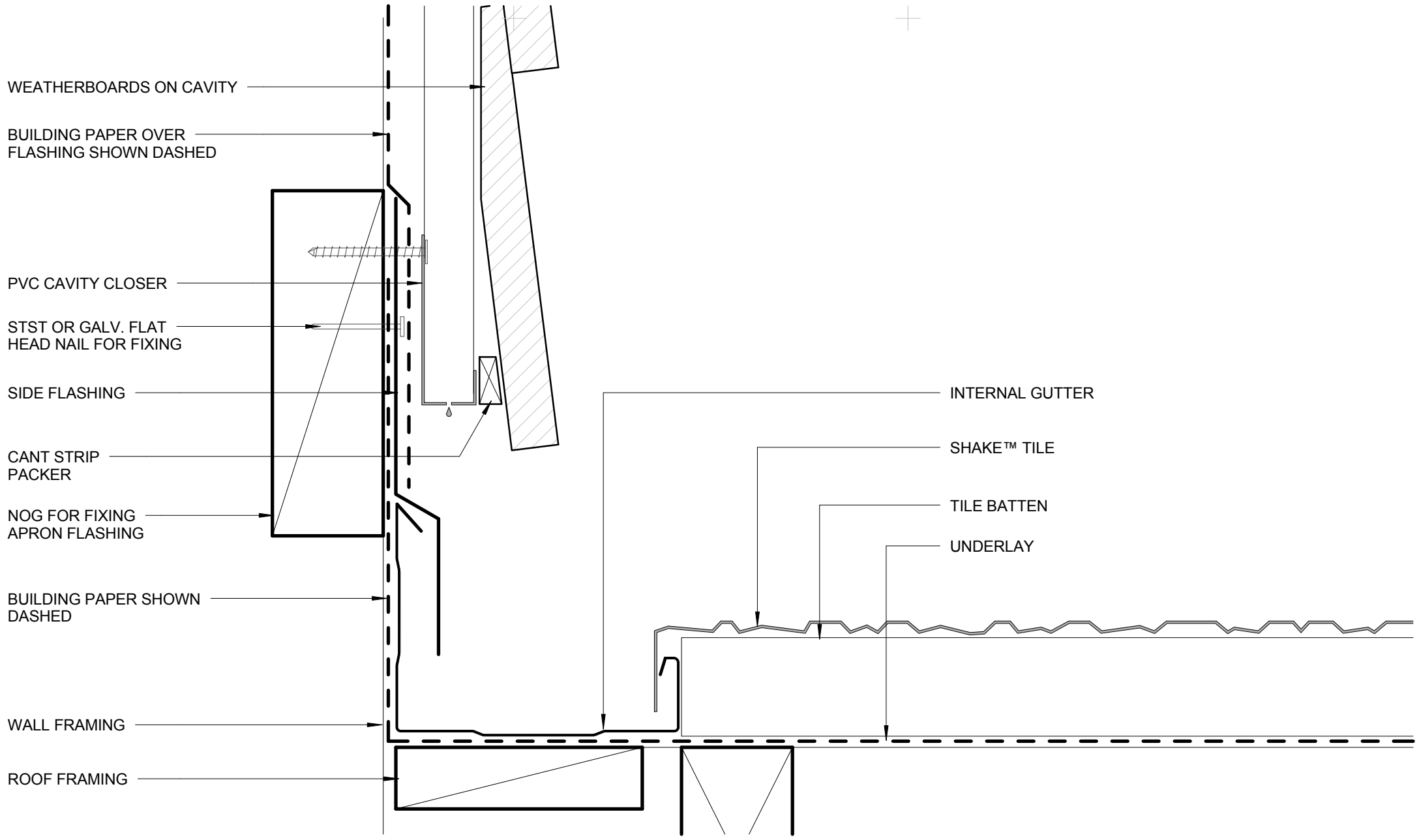


- BUILDING PAPER IS THE COMMON GENERIC NAME FOR PERMEABLE ROOF AND WALL UNDERLAYS. PLEASE REFER TO NZBC E2/AS1 AND MRM CODE OF PRACTICE VERSION 3.0 /2017.

\* - PLEASE REFER TO MRM CODE OF PRACTICE VERSION 3.0 /2017 AS MINIMUM PITCH WILL INCREASE DEPENDING ON SHEET LENGTH.

DISCLAIMER:  
 All details are to be used for indicative purposes only and the designer should consult both the MRM code of practice, E2 and all other relevant building codes  
 Details of the supporting mechanisms are indicative only. Compliance of the supporting mechanisms is the responsibility of the designer. Construction detail can vary for wall cladding. The underlay is detailed as a single line for simplicity and is indicative only. Building paper type and method of installation should comply with underlay manufacturers recommendations and NZBC regulations.

**SIDE FLASHING**  
 RESIDENTIAL ROOFING



WEATHERBOARDS ON CAVITY

BUILDING PAPER OVER FLASHING SHOWN DASHED

PVC CAVITY CLOSER

STST OR GALV. FLAT HEAD NAIL FOR FIXING

SIDE FLASHING

CANT STRIP PACKER

NOG FOR FIXING APRON FLASHING

BUILDING PAPER SHOWN DASHED

WALL FRAMING

ROOF FRAMING

INTERNAL GUTTER

SHAKE™ TILE

TILE BATTEN

UNDERLAY

- BUILDING PAPER IS THE COMMON GENERIC NAME FOR PERMEABLE ROOF AND WALL UNDERLAYS. PLEASE REFER TO NZBC E2/AS1 AND MRM CODE OF PRACTICE VERSION 3.0 /2017.

\* - PLEASE REFER TO MRM CODE OF PRACTICE VERSION 3.0 /2017 AS MINIMUM PITCH WILL INCREASE DEPENDING ON SHEET LENGTH.

DISCLAIMER:  
All details are to be used for indicative purposes only and the designer should consult both the MRM code of practice, E2 and all other relevant building codes  
Details of the supporting mechanisms are indicative only. Compliance of the supporting mechanisms is the responsibility of the designer. Construction detail can vary for wall cladding. The underlay is detailed as a single line for simplicity and is indicative only. Building paper type and method of installation should comply with underlay manufacturers recommendations and NZBC regulations.

**SECRET GUTTER**  
RESIDENTIAL ROOFING