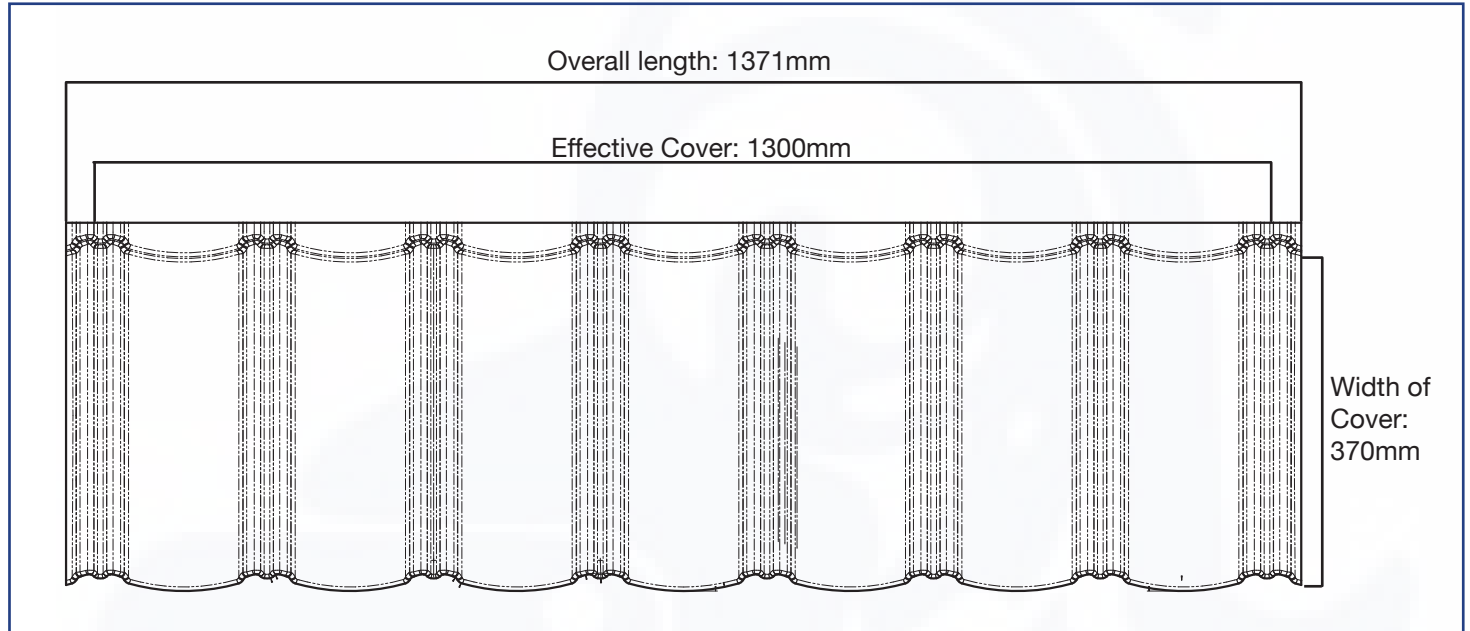


# Chateau Tile

Metalcraft Lightweight Chateau Metal Tiles provide an economical and durable roofing option. Metal Tiles provide a quality finish to any dwelling and offer a cost saving solution in comparison with heavier alternative roof tiles, as they require less reinforcing timber in the roof bracing. The Metalcraft Chateau Tile has a scalloped finish, which affords a timeless look to any style home.

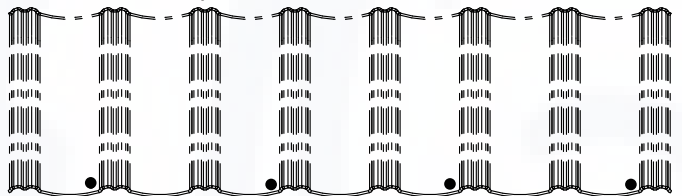


Minimum Pitch: 12.5 degrees Cover: 1300mm

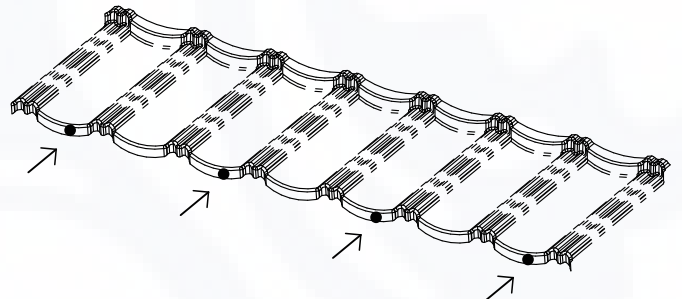


## Chateau Tile Fixing Details

Bottom Course pattern - 50 x 2.8 coloured with washer seal



Main roof area pattern - 50 x 2.8 Black or Galv nails



- \* Gauge: 0.39 G300
- \* Tiles /m<sup>2</sup>: 2.1
- \* Available in pre-painted Color Steel or Chip Coat Finish
- \* Weight (painted): 2.1kg (chip coated): 3.0kg