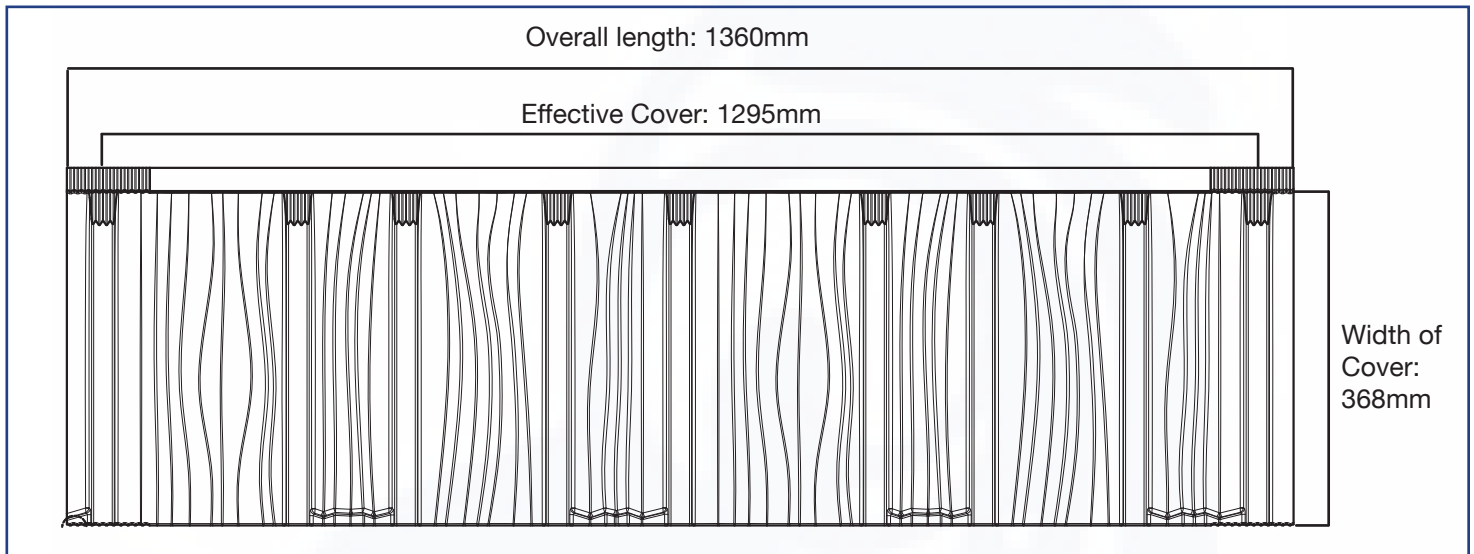


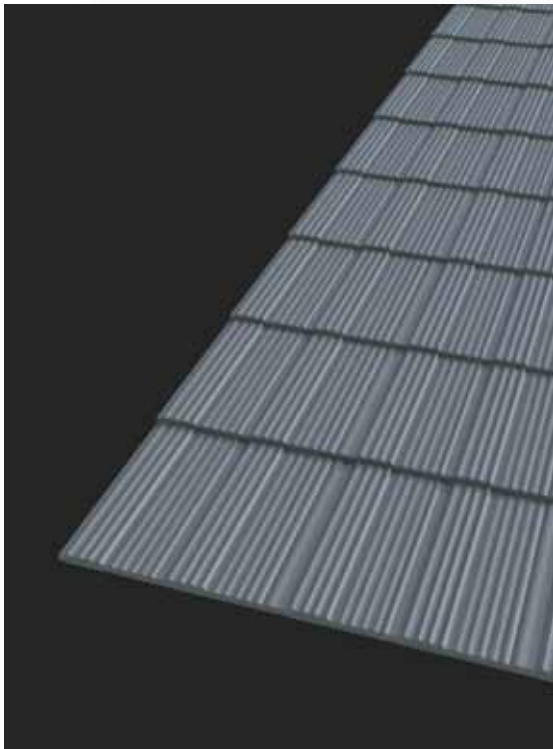
Shake Tile

0800 ROOFNZ (0800 766369)

Metalcraft Roofing produces the Shake Metal Tile profile which is available in both pre-painted and stone chip finishes. These Tiles complemented by a range of flashing and trim options provide a quality finish to any dwelling.

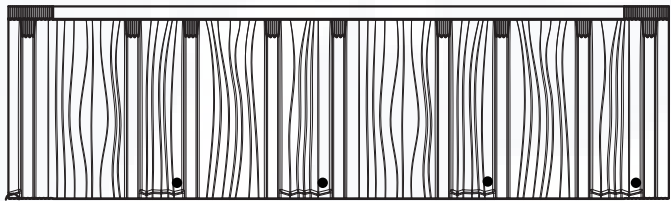


Minimum Pitch: 12.5 degrees Cover: 1295mm

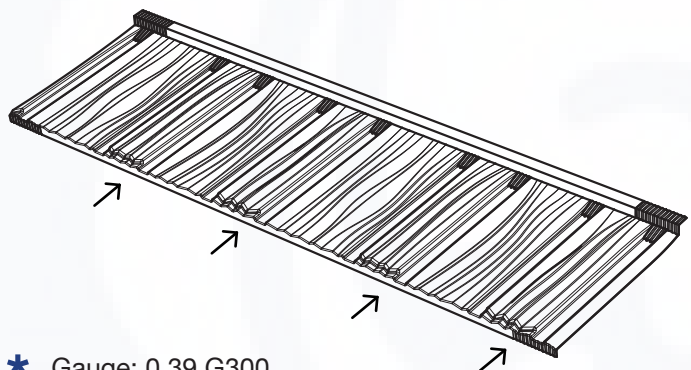


Shake Tile Fixing Details

Bottom Course pattern - 50 x 2.8 coloured with washer seal



Main roof area pattern - 50 x 2.8 Black or Galv nails



- * Gauge: 0.39 G300
- * Tiles /m2: 2.1
- * Available in pre-painted COLORSTEEL® or Chip Coat Finish
- * Weight (painted): 2.1kg (chip coated): 3.3kg