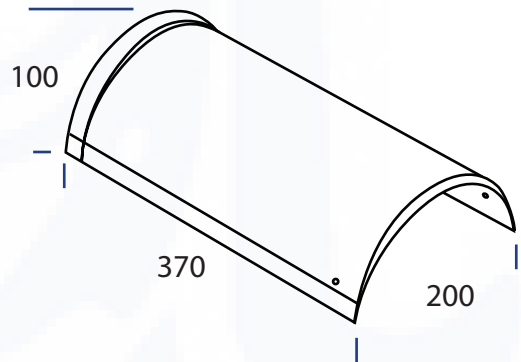
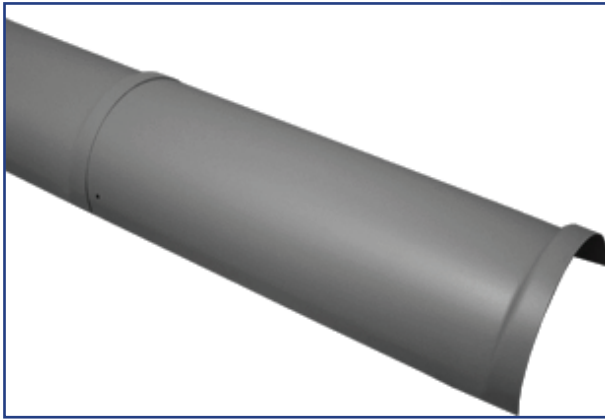


# Flashing Options

There are a range of flashings available to complement your Metalcraft Metal Tile roof. All of the following are offered in both the pre-painted COLORSTEEL® option as well as the chip coated finish. You have the option to match tiles and flashings to create the look you want for your home or project.

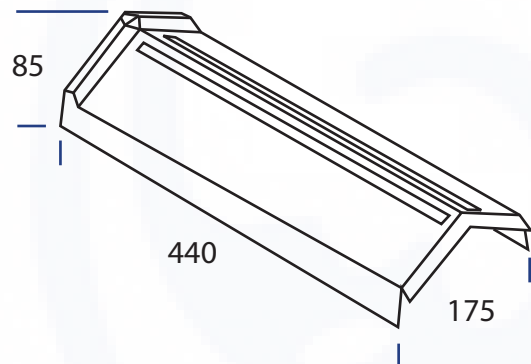
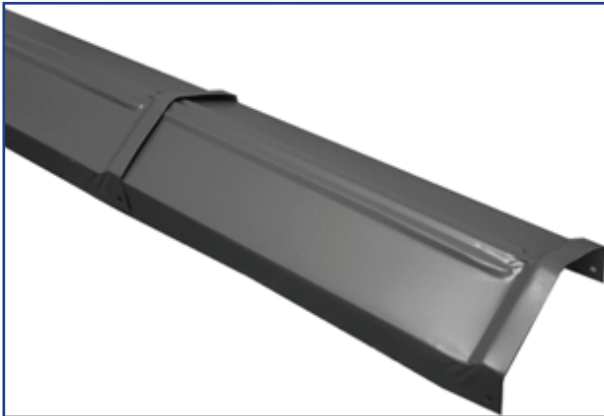
## Barrel Ridge Tile:

The barrel ridge is frequently used to complement the Metalcraft Chateau tile; however it is also compatible with the Metalcraft Shake Tile. Barrel tiles are used to flash the ridges, hips and gable junctions on your roof.



## Angle Ridge Tile:

The angle ridge is most commonly paired with the Metalcraft Shake tile and offers a defined look for your roof. Angle Ridges are used to flash the ridges, hips and gable junctions on your roof.



## Folded Flashings:

Stone chip folded flashings are only available in 1.5m lengths; however pre-painted COLORSTEEL® flashings can be made up to 8m. These are manufactured from 0.55 tinted resin Zinalume coil and then chip coated.

